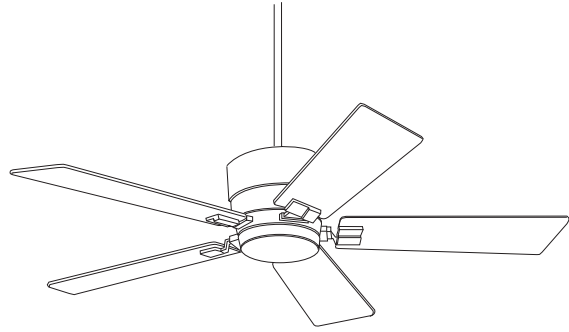
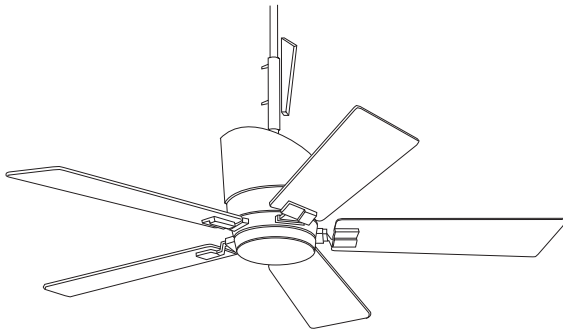


# READ AND SAVE THESE INSTRUCTIONS



**EMERSON™**



**MILANO VERA™**

**MILANO™**

## 52" Ceiling Fan Owner's Manual

**Model Numbers**

**Model Numbers**

**CF745ORB00**

**Oil Rubbed Bronze**

**CF746ORB00**

**Oil Rubbed Bronze**

**CF745PW00**

**Pewter**

**CF746PW00**

**Pewter**

Net Weight: **22.5** Lbs.

Net Weight: **21.4** Lbs.

**⚠ WARNING**

**WARNING:** To avoid fire, shock, and serious personal injury, follow these instructions.

**Safety Instructions**

1. Read your owner's manual carefully and keep it for future reference.
2. Before servicing or cleaning unit, switch power off at service panel and lock service panel disconnecting means to prevent power from being switched on accidentally. When the service disconnecting means cannot be locked, securely fasten a warning device, such as a tag, to the service panel.
3. Be careful of the fan and blades when cleaning, painting, or working near the fan. Always turn off the power to the ceiling fan before servicing.
4. Do not put anything into the fan blades while they are turning.
5. Do not operate reversing switch until fan blades have come to a complete stop.

**Additional Safety Instructions for Installation**

1. To avoid possible shock, be sure electricity is turned off at the fuse box before wiring, and do not operate fan without blades.
2. All wiring must be in accordance with the National Electrical Codes "ANSI/NFPA 70-1999" and Local Electrical Codes. Use the National Electrical Code if Local Codes do not exist. The ceiling fan must be grounded as a precaution against possible electrical shock. Electrical installation should be made or approved by a licensed electrician.
3. The outlet box and joist must be securely mounted and capable of reliably supporting at least 50 pounds. Use only U.L. outlet boxes listed as "Acceptable for Fan Support", and use the mounting screws provided with the outlet box. Most outlet boxes commonly used for support of light fixtures are not acceptable for fan support and may need to be replaced. Consult a qualified electrician if in doubt.
4. The downrod furnished with the fan provides the minimum recommended floor to fan blade clearance for an 8 foot ceiling.
5. The fan must be mounted with the fan blades at least 7 feet from the floor to prevent accidental contact with the fan blades.
6. Follow the recommended instructions for the proper method of wiring your ceiling fan. If you do not know enough about electrical wiring, have your fan installed by a licensed electrician.

**NOTE:** This fan is suitable for use with solid-state speed controls.

**WARNING:** To reduce the risk of fire or electrical shock, this fan should only be used with fan speed control Model No. UC7067RC, manufactured by Rhine Electric Co., Ltd.

**WARNING:** To avoid fire, shock or injury, do not use an Emerson or any other brand of control not specifically approved for this fan.

**WARNING:** This product is designed to use only those parts supplied with this product and/or any accessories designated specifically for use with this product by Emerson Electric Co. Substitution of parts or accessories not designated for use with this product by Emerson Electric Co. could result in personal injury or property damage.

**WARNING:** To reduce the risk of personal injury, do not bend the blade flange when installing the blade flanges, balancing the blades or cleaning the fan. Do not insert foreign objects in between rotating fan blades.

**WARNING:** To reduce the risk of electrical shock, this fan must be installed with an isolating wall control/switch.

**DATE CODE:** \_\_\_\_\_

The date code of this fan may be found on the box, stamped in ink on a white label.

You should record this data above and keep it in a safe place for future use.

# This Manual Is Designed to Make it as Easy as Possible for You to Assemble, Install, Operate and Maintain Your Ceiling Fan

## Tools Needed for Assembly

One Phillips head screwdriver      One stepladder  
 One 1/4" blade screwdriver      One wire stripper  
 Three wire connectors (supplied).

Installed Wire Length	Wire Size A.W.G.
Up to 50 ft.	14
50-100 ft.	12

## MATERIALS

Wiring outlet box and box connectors must be of type required by the local code. The minimum wire would be a 3-conductor (2-wire with ground) of the following size:

### ⚠ WARNING

**Before assembly your ceiling fan, refer to section on proper method of wiring your fan (page 8). If you feel you do not have enough wiring knowledge or experience, have your fan installed by a licensed electrician.**

## Unpacking Instructions

For your convenience, check-off boxes are provided next to each step. As each step is completed, place a check mark in the box. This will insure that all steps have been completed and will be helpful in finding your place should you be interrupted.

### ⚠ WARNING

Do not install or use fan if any part is damaged or missing. Call Toll-Free:

**1-800-654-3545**

### ⚠ WARNING

This product is designed to use only those parts supplied with this product and/or any accessories designated specifically for use with this product by Emerson Electric Co. Substitution of parts or accessories not designated for use with this product by Emerson Electric Co. could result in personal injury or property damage.

1. Check to see that you have received the following parts:

**NOTE: If you are uncertain of part description, refer to exploded view illustration.**

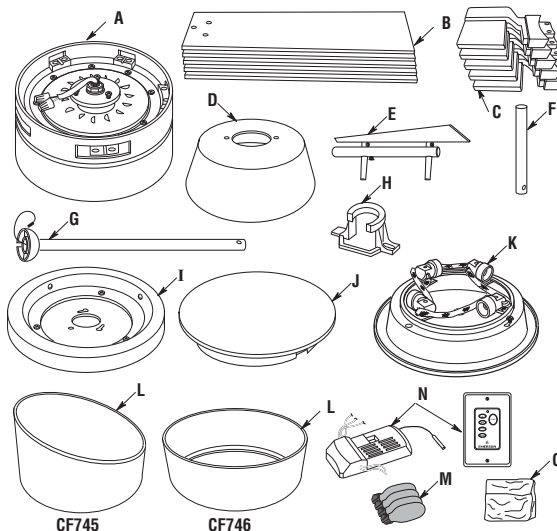
- a. Fan motor assembly
- b. Five fan blades
- c. Five blade flanges
- d. One ceiling canopy
- e. One decorative scroll assembly (CF745 Only)
- f. 6" downrod (CF745 Only)
- g. One hanger ball/downrod assembly (14" - CF745; 6" - CF746)
- h. One hanger bracket
- i. One lower housing assembly
- j. One lower housing cover plate
- k. One upper light kit assembly
- l. One upper glass
- m. Four T8 25 Watt candelabra bulbs
- n. One SW102 remote control and transmitter
- o. One loose parts bag containing:
  1. One clevis pin
  2. One hairpin clip
  3. Three wire connectors
  4. Two #8-32 x 1-1/4" threaded studs
  5. Two knurled knobs
  6. Two #8 external tooth lockwashers

7. Sixteen M5 x 6mm washer head screws
8. Eleven M5 x 14mm pan head screws
9. Eleven M5 lockwashers
10. One balancing kit

**NOTE: Place the parts from the loose parts bags in a small container to keep them from being lost. If any parts are missing, contact your local retailer or catalog outlet for replacement before proceeding.**

2. Remove the fan assembly from the protective plastic bag.
3. Remove and discard the two cardboard shipping retainers securing the motor hub in the motor housing assembly.
4. Place the fan assembly into the foam pad with the bottom of the motor facing up.

The foam pad serves as a holder for the fan during the first stages of assembly.



## Electrical Requirements

Your new ceiling fan will require a grounded electrical supply line of 120 volts AC, 60 Hz, 15 amp circuit.

The outlet box must be securely anchored and capable of withstanding a load of at least 50 pounds.

### WARNING

To reduce the risk of fire, electrical shock, or personal injury, mount fan to outlet box marked "Acceptable for Fan Support", and use screws supplied with outlet box. Most outlet boxes commonly used for support of light fixtures are not acceptable for fan support and may need to be replaced. Consult a qualified electrician if in doubt.

If your fan is to replace an existing ceiling light fixture, turn electricity off at the main fuse box at this time and remove the existing light fixture.

### WARNING

Turning off wall switch is not sufficient. To avoid possible electrical shock, be sure electricity is turned off at the main fuse box before wiring. All wiring must be in accordance with National and Local codes and the ceiling fan must be properly grounded as a precaution against possible electrical shock.

### WARNING

To avoid fire or shock, follow all wiring instructions carefully. Any electrical work not described in these instructions should be done or approved by a licensed electrician.

## Preliminary Procedures

**IMPORTANT:** Before assembling your ceiling fan, refer to sections "Setting Operating Frequency of Wall Control and Receiver" and "Battery Installation of Wall Control", Pages 10 and 11. These sections instruct you how to:

- a. Set the operating frequency of the fan/light wall control and the remote control receiver.
  - b. Install the fan/light wall control in the wall box.
- You will then be ready to proceed with the assembly and installation of your ceiling fan.

## How to Put Your Ceiling Fan Together

1. Position a blade flange under a fan blade until it seats in the holes in the blade (Figure 1). Install three M5 x 6mm washer head screws (supplied); tighten the screws. Repeat this procedure for the remaining four blades.

**NOTE:** To ensure proper blade assembly, make sure label on blades are facing away from the flange.

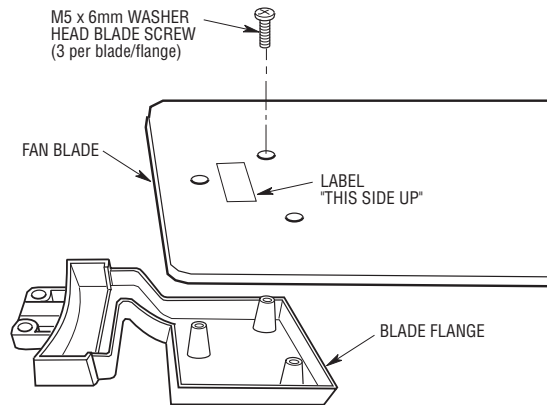


Figure 1

**NOTE:** Take care not to scratch fan housing when installing blades.

2. Slide blade/flange assembly through center slot in fan housing. Mount blade/flange assembly to fan motor assembly using three M5 x 14mm pan head screws and lockwashers (Figure 2)

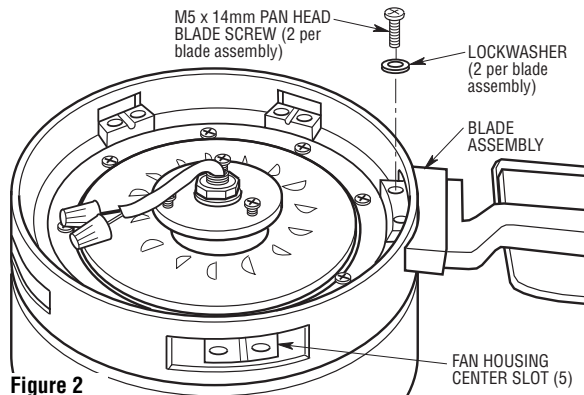


Figure 2

### WARNING

To reduce the risk of personal injury, do not bend the blade flange when installing the blade flanges, balancing the blades or cleaning the fan. Do not insert foreign objects in between rotating fan blades.

3. Gently snug all blade/flange assembly screws to the motor, working around the motor in a clockwise sequence. Failure to follow this procedure could result in fan wobble. This completes the blade installation.

- 4. Remove and retain one of the three pan head screw/lockwashers from the fan motor assembly (Figure 3); loosen the other two pan head screws three or four turns. Position the lower housing assembly on the fan motor assembly so that the two screws mate with the two keyhole slots in the lower housing assembly (Figure 3).
- 5. Turn the lower housing assembly clockwise and tighten both screws (Figure 3). Reinstall the previously removed pan head screw/lockwasher in the remaining hole in the lower housing assembly.

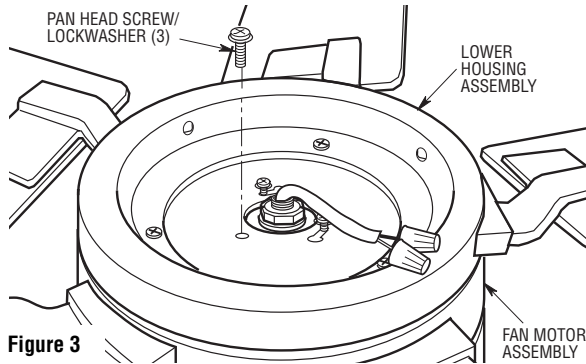


Figure 3

- 6. Place the lower housing cover plate into the opening in the lower housing assembly, aligning the three flat areas on the top edge of the cover plate with the three lower housing assembly and turn the cover plate clockwise until it stops (Figure 4).

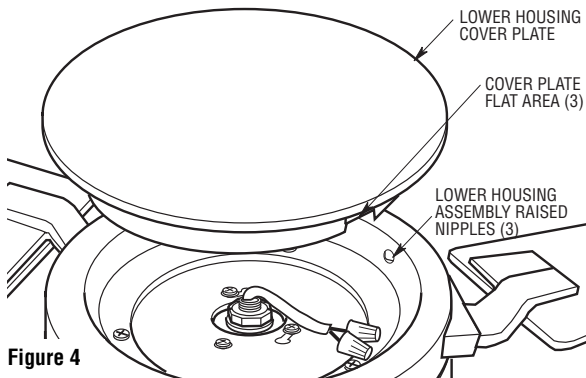


Figure 4

**NOTE: Carefully turn the fan motor assembly right side up and place gently in the styrofoam to continue fan assembly.**

- 7. Place the upper glass carefully on the fan motor assembly (Figures 5 and 6).

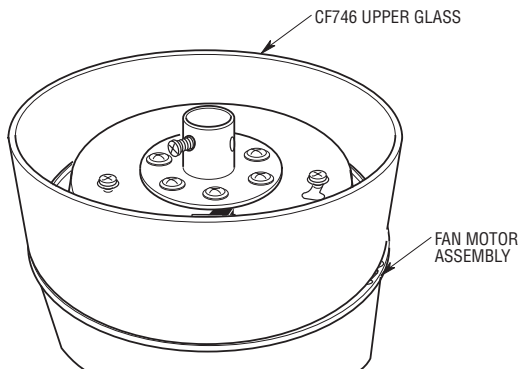


Figure 5

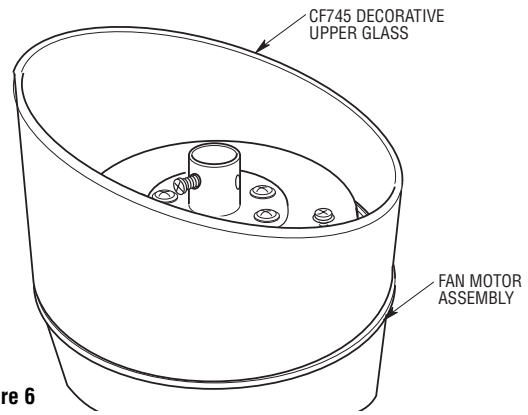


Figure 6

- 8. Remove and retain one of the four pan head screw/lockwashers from the fan motor assembly (Figure 7); loosen the other three pan head screws three or four turns. Position the light kit assembly on the fan motor assembly so that the three screws mate with the three keyhole slots in the light kit assembly (Figure 7).

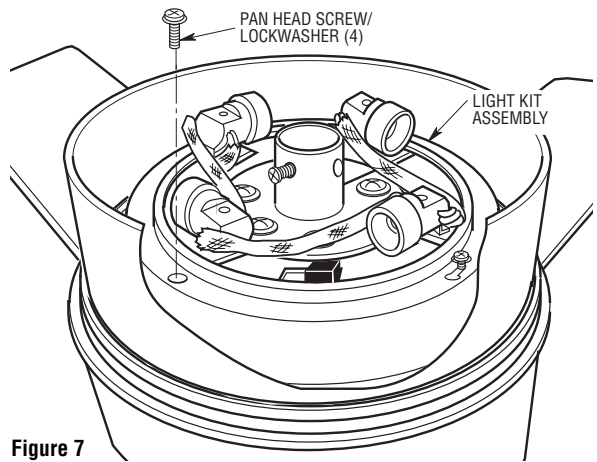


Figure 7

- 9. Remove the hanger ball by loosening the setscrew in the hanger ball until the ball falls freely down the downrod (Figure 8). Remove the pin from the downrod, then remove the hanger ball. Retain the pin and hanger ball for reinstallation in Step 14.

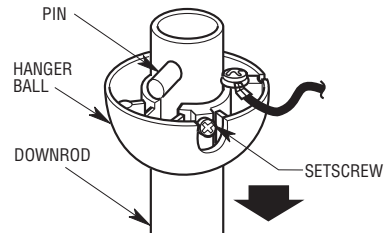


Figure 8

**NOTE: For CF745 Ceiling Fan installation, use 14" downrod/hanger ball with decorative scroll assembly.**

- 10. Separate, untwist and unkink the three 80" motor leads. Route the motor lead wires through the downrod. Remove the upper setscrew from the motor coupling. Align the clevis pin holes in the downrod with the holes in the motor coupling. Install the clevis pin and secure with the hairpin clip (Figure 9). The clevis pin must go through the holes in the motor coupling and the holes in the downrod. Be sure to push the straight leg of the hairpin clip through the hole near the end of the clevis pin until the curved portion of the hairpin clip snaps around the clevis pin. The hairpin clip must be properly installed to prevent the clevis pin from working loose. Pull on the downrod to make sure the clevis pin is properly installed. Reinstall the upper setscrew in the motor coupling. Check that the lower setscrew is tightened securely (Figure 9).

**NOTE: The setscrews must be properly installed as described above, or fan wobble could result.**

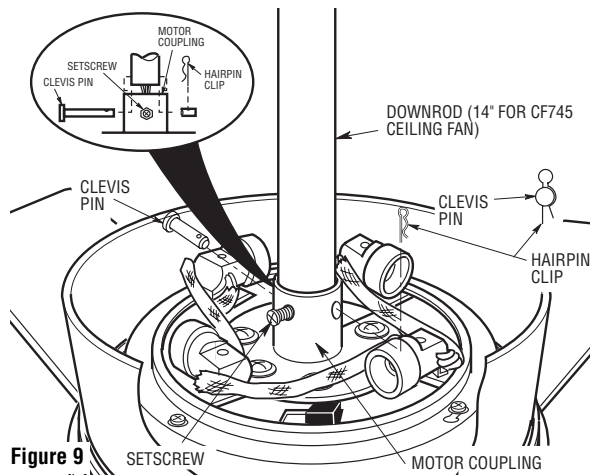


Figure 9

**⚠ WARNING**

**It is critical that the clevis pin in the motor coupling is properly installed and the setscrews securely tightened. Failure to verify that the pin and setscrews are properly installed could result in the fan falling.**

- 11. Place a 25-watt T8 candelabra bulb (supplied) in each of the four light sockets of the light kit assembly (Figure 10).

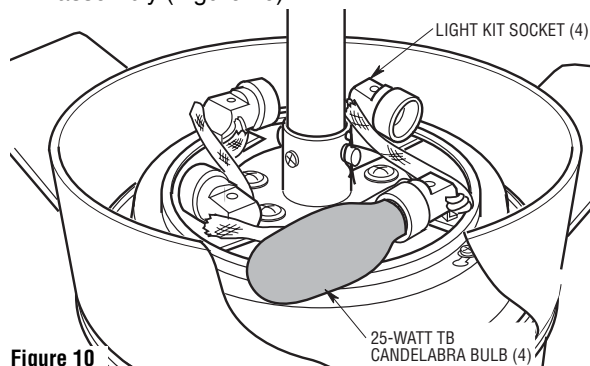


Figure 10

- 12. **CF745 INSTALLATION ONLY:** Slide the decorative scroll assembly over the 14" downrod (supplied with CF745 hangerball) until it rests on the motor coupling (Figure 11). Tighten the decorative downrod pan head screw to secure to 14" downrod.

**NOTE: If you installed the 6" downrod on the CF745, the decorative scroll assembly will not be installed. Disregard Step 12 and Figure 11.**

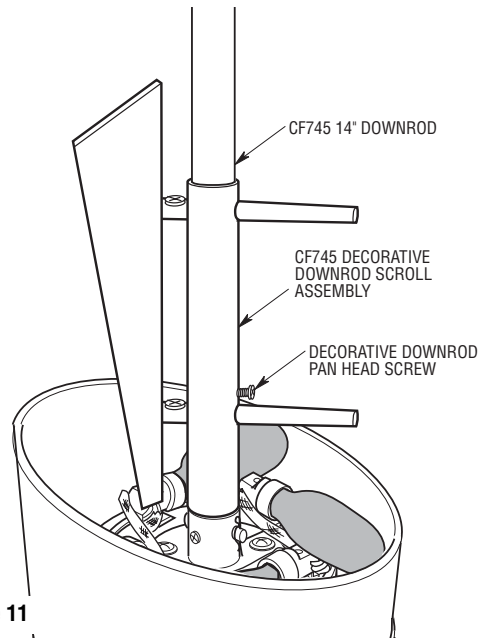


Figure 11

- 13. Place the ceiling canopy over the downrod. Be sure that the ceiling canopy is oriented correctly (Figure 12).

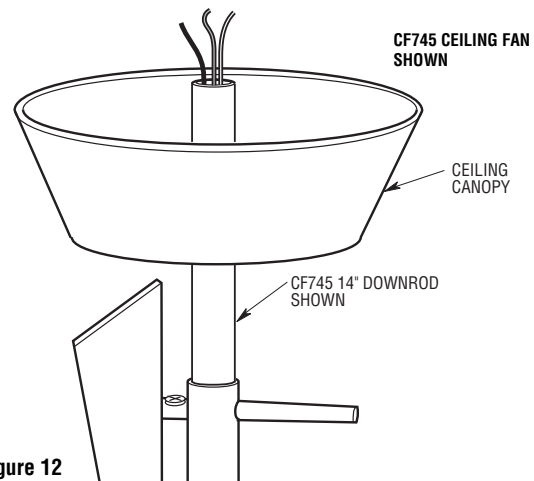


Figure 12

- 14. Reinstall the hanger ball (Figure 13) on the downrod as follows. Route the three 80" motor leads through the hanger ball. Position the pin through the two holes in the downrod and align the hanger ball so the pin is captured in the groove in the top of the hanger ball. Pull the hanger ball up tight against the pin and securely tighten the setscrew in the hanger ball. A loose setscrew could create fan wobble.
- 15. The fan comes with blue, black and white leads that are 80" long. Before installing fan, measure up approximately 6 to 9-inches above top of hanger ball/downrod assembly. Cut off excess leads and strip back insulation 1/2-inch from end of leads.

**WARNING**

It is critical that the pin in the hanger ball is properly installed and the setscrew securely tightened. Failure to verify that the pin and setscrew are properly installed could result in the fan falling.

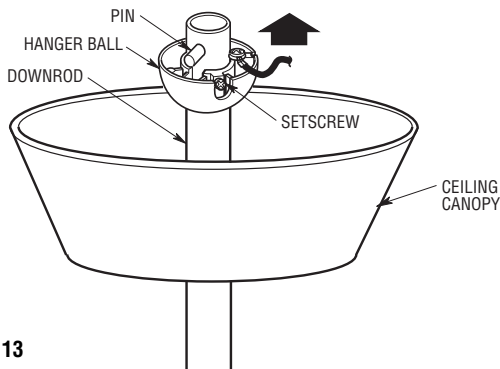


Figure 13

- 17. You have now completed the assembly of your new ceiling fan. You can now proceed with hanging and wiring your fan.

## How to Hang Your Ceiling Fan

**WARNING**

The fan must be hung with at least 7' of clearance from floor to blades (Figure 14).

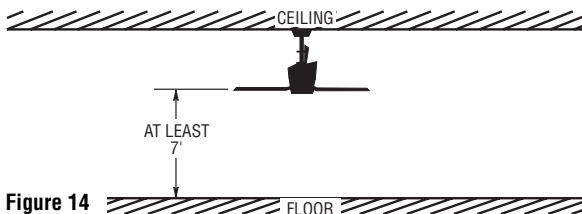


Figure 14

**WARNING**

The outlet box and joist must be securely mounted and capable of supporting at least 50 lbs. Use only a U.L. outlet box listed as "Acceptable for Fan Support".

**WARNING**

To reduce the risk of fire, electrical shock, or personal injury, mount fan to outlet box marked "Acceptable for Fan Support", and use screws supplied with outlet box. Most outlet boxes commonly used for support of light fixtures are not acceptable for fan support and may need to be replaced. Consult a qualified electrician if in doubt.

- 1. Securely attach the hanger bracket to the outlet box using the two screws supplied with the outlet box. (Figure 15.)

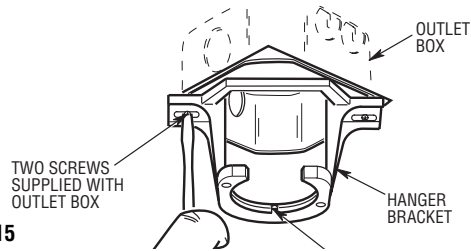


Figure 15

- 2. Carefully lift the fan and seat the hanger ball/downrod assembly on the hanger bracket that was just attached to the outlet box (Figure 16). Be sure the groove in the ball is lined up with tab on the hanger bracket (Figure 15).

**WARNING**

Hanger bracket must seat firmly against outlet box. If the outlet box is recessed, remove wall board until bracket contacts box. If bracket and/or outlet box are not securely attached, the fan could wobble or fall.

**WARNING**

Failure to seat tab in groove could cause damage to electrical wires and possible shock or fire hazard.

**WARNING**

To avoid possible fire or shock, do not pinch wires between the hanger ball/downrod assembly and hanger bracket.

NOTE: CEILING COVER, SUPPLY WIRES AND FAN WIRES OMITTED FOR CLARITY.

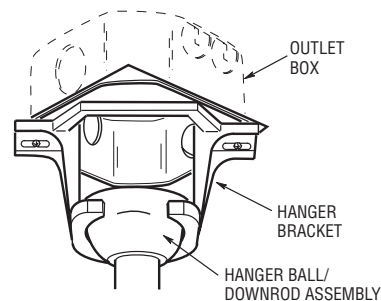



Figure 16

# How to Wire Your Ceiling Fan

If you feel that you do not have enough electrical wiring knowledge or experience, have your fan installed by a licensed electrician.

 <b>WARNING</b>
<p>Turning off wall switch is not sufficient. To avoid possible electrical shock, be sure electricity is turned off at the main fuse box before wiring. All wiring must be in accordance with National and Local codes and the ceiling fan must be properly grounded as a precaution against possible electrical shock.</p>

**CAUTION:** To reduce the risk of electrical shock, disconnect the electrical supply circuit before installing the fan, light kit or receiver.

1. Position the supply wires to the left side of the outlet box (Figure 17); position the fan wires to the right side. Partially insert the remote control receiver (flat side up) until one end rests on the hanger ball as shown in Figure 17.

**NOTE:** Make all wiring connections using wire connectors (supplied). Make sure that all connections are tight, including ground, and that no bare wire is visible at the wire connectors, except for the ground wire.

2. Refer to Figure 17 and 18 and connect the receiver wires to the supply wires and the fan motor wires as follows:
  - a. Securely connect the green grounding wires from the hanger ball and the hanger bracket to the supply grounding conductor (this may be a bare wire or a wire with green insulation).
  - b. Securely connect the supply white (neutral) wire to the receiver white (AC IN N) wire.
  - c. Securely connect the supply black wire (hot) wire to the receiver black (AC IN L) wire.
  - d. Securely connect the fan motor white wire to the receiver white (TO MOTOR N) wire.
  - e. Securely connect the fan motor black wire to the receiver red (TO MOTOR L) wire.
  - f. Securely connect the fan motor blue wire to the receiver blue (FOR LIGHT) wire.

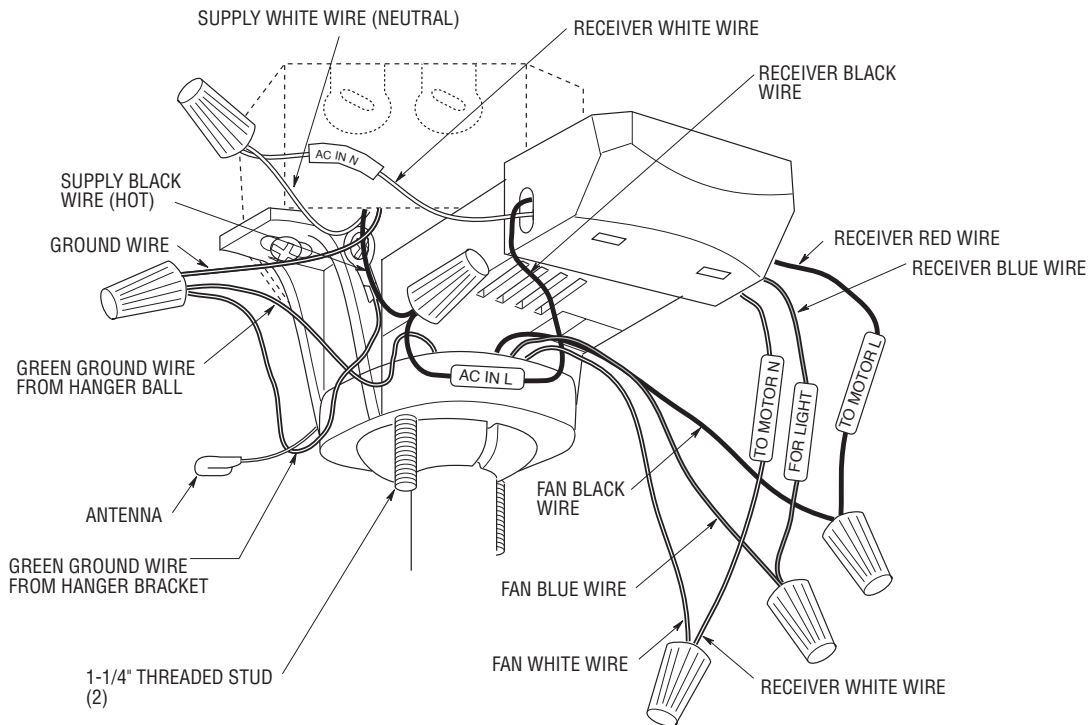


Figure 17

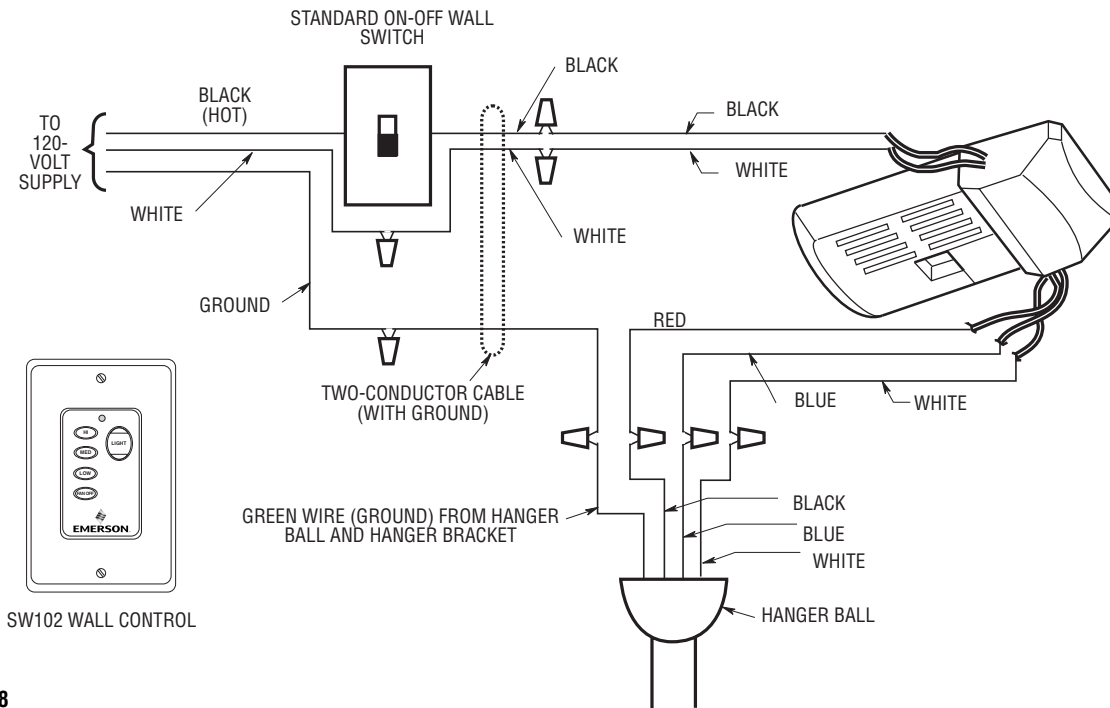


Figure 18

**⚠ WARNING**

Check to see that all connections are tight, including ground, and that no bare wire is visible at the wire connectors, except for the ground wire. Do not operate fan until blades are in place. Noise and fan damage could result.

- 3. Push the wires and connectors up into the outlet box while inserting the receiver fully into the hanger bracket. Position the antenna wire on top of the receiver.
- 4. Screw the two threaded studs (supplied) into the tapped holes in the hanger bracket.
- 5. Lift the ceiling canopy up to the threaded studs and turn until studs protrude through the holes in the ceiling canopy (Figure 19).
- 6. Secure the ceiling canopy in place by sliding lockwashers over the threaded studs and installing the two knurled knobs (supplied). (Figure 19). Tighten the knurled knobs securely until the ceiling canopy fits snugly against the ceiling and the hole in the ceiling canopy is clear of the downrod. Your fan is now wired to be turned on and off from the fan switch.

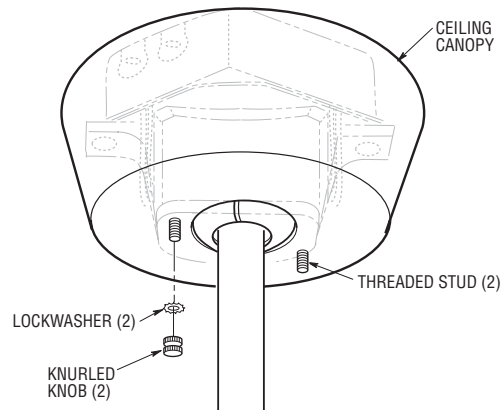


Figure 19

**⚠ WARNING**

To avoid possible fire or shock, make sure that the electrical wires are completely inside the outlet box and not pinched between the ceiling canopy and the ceiling.

## Using Your Ceiling Fan

1. Restore electrical power to the outlet box by turning the electricity on at the main fuse box.
2. All fans are shipped from the factory with the reversing switch positioned "left" to circulate air downward. If airflow is desired in opposite direction, turn your fan OFF and wait for the blades to stop turning, then slide the reversing switch to the "right" position, and turn fan on again.
3. The fan blades will turn in the opposite direction and reverse the airflow.

### Reverse Switch Information

Season	Rotation Direction	Switch Position
Summer	Counter-Clockwise	Right
Winter	Clockwise	Left

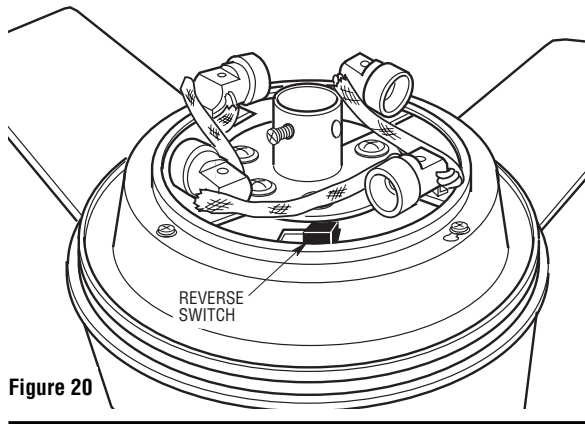


Figure 20

## General

Your Emerson Ceiling Fan/Light Wall Control consists of a wall mount transmitter and a receiver. The SW102 transmitter works in conjunction with the receiver. The receiver is mounted under the fan ceiling cover. The wall control is designed to separately control your ceiling fan speed and light intensity.

Code switches in the wall control and receiver may be set in 16 different positions. If your fan and light go on and off without using your control, you may be getting interference from other transmitters such as garage door openers, car alarms or security systems. To remedy this situation, simply change the combination code in your wall control and receiver.

## Setting Operating Frequency of Wall Control and Receiver

Your SW102 Fan/Light Wall Control and Receiver have code switches which must be set in one of 16 possible code combinations. The four levers (numbered 1, 2, 3, and 4) on the switches are factory-set in the ON (up) position. Change the switch settings as follows:

1. Slide the four switch levers in the wall control to your choice of ON (up) or down positions. Use a ball-point pen or small screwdriver and slide the levers firmly up or down (Figure 21).
2. In the receiver, slide the four switch levers to the same positions as set in the wall control. Make sure the levers on both switches are in the same positions, otherwise the fan will not operate.

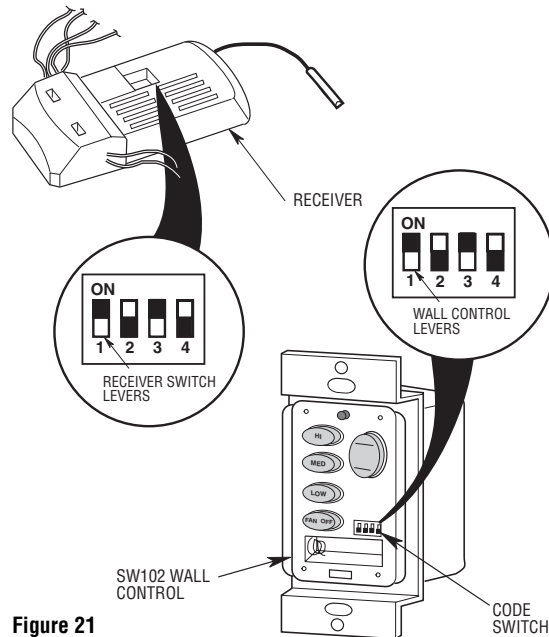


Figure 21

## Battery Installation of Wall Control

### **⚠ WARNING**

Turning off wall switch is not sufficient. To avoid possible electrical shock, be sure electricity is turned off at the main fuse or circuit breaker box.

The SW102 Fan/Light Wall Control transmits the command signals via radio waves to the receiver installed in the ceiling fan ceiling cover. The receiver is required for the SW102 wall control to function. Power for the SW102 wall control comes from the 12V battery, located in the wall control.

Replacement 12V battery recommended are Duracell MN21 and Eveready A23.

1. Install the 12V battery (supplied) into the wall control (Figure 22).
2. The SW102 wall control is supplied with a white, ivory or almond color cover. Choose the style that best suits your needs and snap the cover onto the wall control (Figure 22).

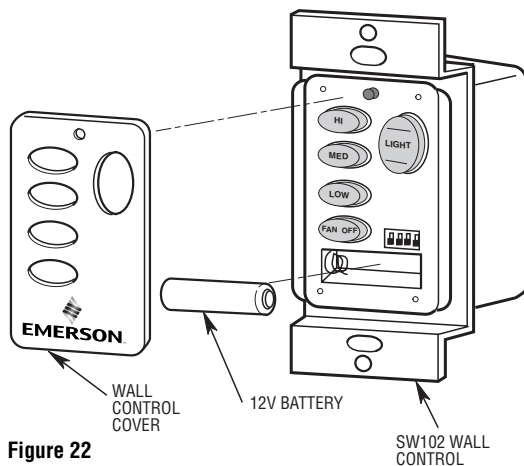


Figure 22

3. Install the wall control onto the outlet box using the supplied screws (Figure 23).
4. Install a decorator wall plate (purchased separately) using the two screws provided (Figure 23).

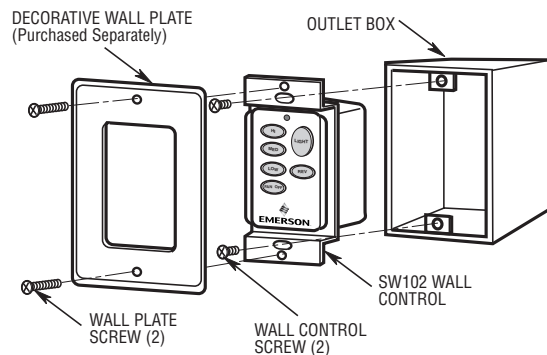


Figure 23

## Maintenance

### IMPORTANT CARE INSTRUCTIONS for your Ceiling Fan

Periodic cleaning of your new ceiling fan is the only maintenance that is needed.

When cleaning, use only a soft brush or lint free cloth to avoid scratching the finish.

Abrasive cleaning agents are not required and should be avoided to prevent damage to finish.

### **⚠ WARNING**

Do not use water when cleaning your ceiling fan. It could damage the motor or the blades and create the possibility of an electrical shock.

## Accessories

1. Ceiling Fan Light Kits (see store or catalog).
2. Ceiling Fan/Light Controls (see store or catalog).
3. Downrod Extension Kits (see store or catalog).

### **⚠ WARNING**

The use of any other control not specifically approved for this fan could result in fire, shock and personal injury.

### **⚠ WARNING**

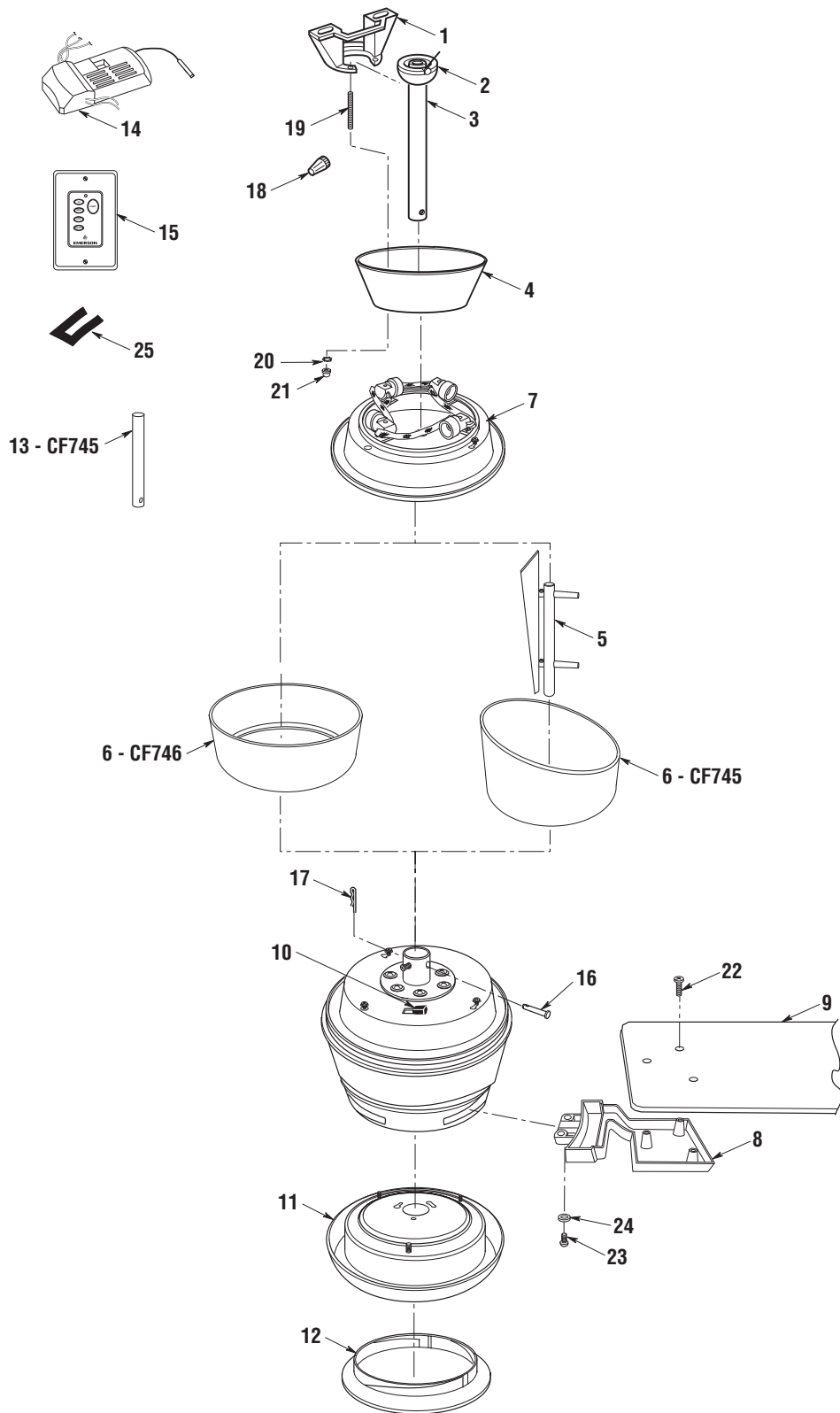
This product is designed to use only those parts supplied with this product and/or any accessories designated specifically for use with this product by Emerson Electric Co. Substitution of parts or accessories not designated for use with this product by Emerson Electric Co. could result in personal injury or property damage.

**⚠ WARNING:** For your own safety, turn off power at fuse box or circuit breaker before trouble shooting your fan.

## Trouble Shooting

TROUBLE	PROBABLE CAUSE	SUGGESTED REMEDY
<b>1. Fan will not start.</b>	<ol style="list-style-type: none"> <li>1. Fuse or circuit breaker blown.</li> <li>2. Loose power line connections to the fan, or loose switch wire connections in the switch housing.</li> <li>3. Reversing switch in neutral position.</li> </ol>	<ol style="list-style-type: none"> <li>1. Check main and branch circuit fuses or circuit breakers.</li> <li>2. Check line wire connections to fan and switch wire connections in the switch housing.</li> <li>3. <b>⚠ WARNING: Make sure main power is turned OFF.</b></li> <li>3. Make sure reversing switch position is all the way to one side.</li> </ol>
<b>2. Fan sounds noisy.</b>	<ol style="list-style-type: none"> <li>1. Blades not attached to fan.</li> <li>2. Loose screws in motor housing.</li> <li>3. Screws securing fan blade flanges to motor hub are loose.</li> <li>4. Wire connectors inside switch housing rattling.</li> <li>5. Motor noise caused by solid-state variable speed control.</li> <li>6. Screws holding blades to flanges are loose.</li> </ol>	<ol style="list-style-type: none"> <li>1. Attach blades to fan before operating.</li> <li>2. Check to make sure all screws in motor housing are snug (not over-tight).</li> <li>3. Check to make sure the screws which attach the fan flanges to the motor hub are tight.</li> <li>4. Check to make sure wire connectors in switch housing are not rattling against each other or against the interior wall of the switch housing.</li> <li>5. <b>⚠ WARNING: Make sure main power is turned OFF.</b></li> <li>5. Some fan motors are sensitive to signals from Solid-State variable speed controls. If Solid-State Control is used and motor noise results choose an alternative control method.</li> <li>6. Tighten screws securely.</li> </ol>
<b>3. Fan wobbles excessively.</b>	<ol style="list-style-type: none"> <li>1. Setscrew in motor coupling is loose.</li> <li>2. Setscrew in hanger ball/downrod assembly is loose.</li> <li>3. Screws securing fan blade flanges to motor are loose.</li> <li>4. Fan blade flanges not seated properly.</li> <li>5. Hanger bracket and/or ceiling outlet box is not securely fastened.</li> <li>6. Fan blades out of balance.</li> </ol>	<ol style="list-style-type: none"> <li>1. Tighten both setscrews securely in the motor coupling.</li> <li>2. Tighten the setscrew in the hanger ball/downrod assembly.</li> <li>3. Check to be sure screws which attach the fan blade flanges to the motor are tight.</li> <li>4. Check to be sure the fan blade flanges seat firmly and uniformly to the surface of the motor. If flanges are seated incorrectly, loosen the flange screws and retighten according to the procedure in the section on "How to Put Your Ceiling Fan Together".</li> <li>5. Tighten the hanger bracket screws to the outlet box, and/or secure outlet box.</li> <li>6. Interchanging an adjacent (side-by-side) blade pair can redistribute the weight and result in smoother operation.</li> </ol>

# Repair Parts



## Repair Parts Listing

Key No.	Description	Milano Vera Model No.		Milano Model No.	
		CF745ORB00	CF745PW00	CF746ORB00	CF746PW00
*	Hanger Ball Assembly, Consisting of:	761655-63	761655-64	761655-65	761655-25
1	Hanger Bracket	—	—	—	—
2	Hanger Ball	—	—	—	—
3	Downrod	—	—	—	—
4	Canopy, Ceiling	763838-ORB	763838-PW	763838-ORB	763838-PW
5	Scroll Assembly, Decorative (1) (CF745)	763839-ORB	763839-PW	—	—
6	Glass, Upper	763842	763842-1	763843	763843-1
7	Light Kit Assembly (1)	763846-ORB	763846-PW	763846-ORB	763846-PW
8	Flange Assembly (1)	763848-ORB	763848-PW	763848-ORB	763848-PW
9	Blade Assembly (1)	763850	763850-1	763850	763850-1
10	Harness, Wiring (1)	763852	763852	763852	763852
11	Lower Housing Assembly (1)	763845-ORB	763845-PW	763845-ORB	763845-PW
12	Lower Housing Cover Plate (1)	763853-ORB	763853-PW	763853-ORB	763853-PW
13	Downrod, Short (CF745 Only)	761631-80	761631-28	—	—
14	Receiver, Remote Control (1)	762670	762670	762670	762670
15	Transmitter, Wall Control (1)	763713-1	763713-1	763713-1	763713-1
*	Parts Bag Containing:	763584	763584	763584	763584
16	Pin, Clevis	—	—	—	—
17	Clip, Hairpin	—	—	—	—
18	Wire Connector (3)	—	—	—	—
19	Threaded Stud (2)	—	—	—	—
20	Lockwasher, External Tooth (2)	—	—	—	—
21	Knob, Knurled #8-32 (2)	—	—	—	—
22	Screw, Washer Head M5 x 6mm (16)	—	—	—	—
23	Screw, Pan Head M5 x 14mm (11)	—	—	—	—
24	Lockwasher, M5 (11)	—	—	—	—
25	Balancing Kit (1)	—	—	—	—
—	Owner's Manual	BP7376	BP7376	BP7376	BP7376

**Before discarding packaging material, be certain all parts have been removed.**

### HOW TO ORDER REPAIR PARTS

WHEN ORDERING REPAIR PARTS, ALWAYS GIVE THE FOLLOWING INFORMATION:

- PART NUMBER
- NAME OF ITEM
- PART DESCRIPTION
- MODEL NUMBER

For repair parts, phone 1-800-654-3545.

## LIMITED WARRANTY

### **What The Warranty Covers:**

This warranty covers the motor and the other components and accessories of your Emerson ceiling fan against all defects in workmanship and materials. You must be the original purchaser or user of the product to be covered.

### **What The Period Of Coverage Is:**

As it applies to the motor, this warranty will last for the lifetime of your ceiling fan. All other components and accessories are covered by this warranty for one year from the date you purchased your ceiling fan. ANY IMPLIED WARRANTY OF MERCHANTABILITY OR FITNESS FOR A PARTICULAR PURPOSE, MADE WITH RESPECT TO COMPONENTS AND ACCESSORIES IS ALSO LIMITED TO ONE YEAR.

### **What Will Emerson Electric Co. Do To Correct Problems:**

Emerson Electric Co. will replace a defective Emerson Air Comfort Ceiling Fan motor, blade, component or other accessory at no charge to you. If repair of the motor or blades is not practical or possible within a reasonable time and no replacement can be provided, Emerson will refund the actual purchase price of your fan. **WE WILL SHIP THE REPAIRED PRODUCT OR REPLACEMENT TO YOU AT NO CHARGE, BUT YOU ARE RESPONSIBLE FOR ALL COSTS OR REMOVAL, REINSTALLATION AND SHIPPING OF THE PRODUCT TO EMERSON ELECTRIC CO.**

### **How Can You Get Service:**

YOU MUST HAVE PROOF OF YOUR PURCHASE OF THE CEILING FAN TO OBTAIN LIMITED WARRANTY SERVICE. KEEP YOUR RECEIPT OR OTHER PROOF OF PURCHASE. You can return the product to our factory or to your nearest authorized service center.

- To return the product to the factory, obtain a return authorization and service identification tag by writing to Air Comfort Products, Division of Emerson Electric Co., 8100 W. Florissant Ave., St. Louis, MO 63136. Include all model numbers shown on the product with your request.
- To return the product to an authorized service center, call 1-800-654-3545 for the address of the nearest authorized service center.

You will be responsible for all insurance, freight or other transportation charges to our factory or authorized service center. Your Emerson Air Comfort Ceiling Fan should be properly packed to avoid damage in transit since we will not be responsible for any such damage.

### **What Is Not Covered:**

The glass globes and light bulbs of your ceiling fan are not covered by this warranty. This warranty also does not cover any defects, malfunctions or failures caused by:

- Repairs by persons not authorized by Emerson Electric Co.,
  - Use of parts or accessories not authorized by Emerson Electric Co.,
  - Mishandling, improper installation, modifications or damage to your ceiling fan while in your possession, or
  - Unreasonable use, misuse, abuse, including failing to do reasonable and necessary maintenance, and normal wear and tear.
- Additionally, this warranty and any implied warranty of merchantability or fitness for a particular purpose are voided when:
- The original purchaser or user ceases to own the product, or
  - The fan is moved from its original point of installation.

This warranty is only valid within the 50 states of the United States and the District of Columbia. No other written or oral warranties apply, and no employee, agent, dealer or other person is authorized to give any warranties on behalf of Emerson Electric Co.

REPAIR, REPLACEMENT OR A REFUND ARE THE EXCLUSIVE REMEDIES AVAILABLE UNDER THIS WARRANTY AND EMERSON IS NOT RESPONSIBLE FOR DAMAGES OF ANY KIND, INCLUDING INCIDENTAL AND CONSEQUENTIAL DAMAGES. Incidental damages include but are not limited to such damages as loss of time and loss of use. Consequential damages include but are not limited to the cost of repairing or replacing other property which was damaged if this product does not work properly.

### **How State Law Relates To The Warranty:**

Some states do not allow the exclusion or limitation of incidental or consequential damages so the above exclusion or limitation may not apply to you. This warranty gives you specific legal rights, and you may also have other rights which vary from state to state.



**EMERSON™**

**Air Comfort Products**

DIVISION OF EMERSON ELECTRIC CO.  
8100 W. Florissant • St. Louis, MO 63136

Part No. F40BP73760000

Printed in China 02/09

Form No. BP7376  
U.L. Model No.: CF745 and CF746