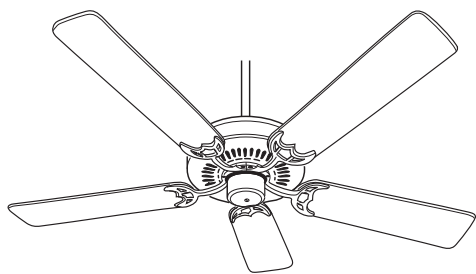


# READ AND SAVE THESE INSTRUCTIONS



## EMERSON™ DESIGNER REMOTE Series Ceiling Fan Owner's Manual

Model No.

CF759AB03  
CF759AW03  
CF759BS03  
CF759OB03  
CF759ORB03  
CF759WB03  
CF759WW03

Net Weight: 21.1 Lbs.

### LIMITED WARRANTY

#### What The Warranty Covers:

This warranty covers the motor and the other components and accessories of your Emerson ceiling fan against all defects in workmanship and materials. You must be the original purchaser or user of the product to be covered.

#### What The Period Of Coverage Is:

As it applies to the motor, this warranty will last for the lifetime of your ceiling fan. All other components and accessories are covered by this warranty for one year from the date you purchased your ceiling fan. ANY IMPLIED WARRANTY OF MERCHANTABILITY OR FITNESS FOR A PARTICULAR PURPOSE, MADE WITH RESPECT TO COMPONENTS AND ACCESSORIES IS ALSO LIMITED TO ONE YEAR.

#### What Will Emerson Electric Co. Do To Correct Problems:

Emerson Electric Co. will replace a defective Emerson Air Comfort Ceiling Fan motor, blade, component or other accessory at no charge to you. If repair of the motor or blades is not practical or possible within a reasonable time and no replacement can be provided, Emerson will refund the actual purchase price of your fan. **WE WILL SHIP THE REPAIRED PRODUCT OR REPLACEMENT TO YOU AT NO CHARGE, BUT YOU ARE RESPONSIBLE FOR ALL COSTS OR REMOVAL, REINSTALLATION AND SHIPPING OF THE PRODUCT TO EMERSON ELECTRIC CO.**

#### How Can You Get Service:

YOU MUST HAVE PROOF OF YOUR PURCHASE OF THE CEILING FAN TO OBTAIN LIMITED WARRANTY SERVICE. KEEP YOUR RECEIPT OR OTHER PROOF OF PURCHASE. You can return the product to our factory or to your nearest authorized service center.

- To return the product to the factory, obtain a return authorization and service identification tag by writing to Air Comfort Products, Division of Emerson Electric Co., 8100 W. Florissant Ave., St. Louis, MO 63136. Include all model numbers shown on the product with your request.
- To return the product to an authorized service center, call 1-800-654-3545 for the address of the nearest authorized service center.

You will be responsible for all insurance, freight or other transportation charges to our factory or authorized service center. Your Emerson Air Comfort Ceiling Fan should be properly packed to avoid damage in transit since we will not be responsible for any such damage.

#### What Is Not Covered:

The glass globes and light bulbs of your ceiling fan are not covered by this warranty. This warranty also does not cover any defects, malfunctions or failures caused by:

- Repairs by persons not authorized by Emerson Electric Co.,
- Use of parts or accessories not authorized by Emerson Electric Co.,
- Mishandling, improper installation, modifications or damage to your ceiling fan while in your possession, or
- Unreasonable use, misuse, abuse, including failing to do reasonable and necessary maintenance, and normal wear and tear.

Additionally, this warranty and any implied warranty of merchantability or fitness for a particular purpose are voided when:

- The original purchaser or user ceases to own the product, or
- The fan is moved from its original point of installation.

This warranty is only valid within the 50 states of the United States and the District of Columbia. No other written or oral warranties apply, and no employee, agent, dealer or other person is authorized to give any warranties on behalf of Emerson Electric Co.

REPAIR, REPLACEMENT OR A REFUND ARE THE EXCLUSIVE REMEDIES AVAILABLE UNDER THIS WARRANTY AND EMERSON IS NOT RESPONSIBLE FOR DAMAGES OF ANY KIND, INCLUDING INCIDENTAL AND CONSEQUENTIAL DAMAGES. Incidental damages include but are not limited to such damages as loss of time and loss of use. Consequential damages include but are not limited to the cost of repairing or replacing other property which was damaged if this product does not work properly.

#### How State Law Relates To The Warranty:

Some states do not allow the exclusion or limitation of incidental or consequential damages so the above exclusion or limitation may not apply to you. This warranty gives you specific legal rights, and you may also have other rights which vary from state to state.

 **WARNING**

**WARNING: To avoid fire, shock, and serious personal injury, follow these instructions.**

### **Safety Instructions**

1. Read your owner's manual carefully and keep it for future reference.
2. Before servicing or cleaning unit, switch power off at service panel and lock service panel disconnecting means to prevent power from being switched on accidentally. When the service disconnecting means cannot be locked, securely fasten a warning device, such as a tag, to the service panel.
3. Be careful of the fan and blades when cleaning, painting, or working near the fan. Always turn off the power to the ceiling fan before servicing.
4. Do not put anything into the fan blades while they are turning.
5. Do not operate reversing switch until fan blades have come to a complete stop.

### **Additional Safety Instructions for Installation**

1. To avoid possible shock, be sure electricity is turned off at the fuse box before wiring, and do not operate fan without blades.
2. All wiring must be in accordance with the National Electrical Codes "ANSI/NFPA 70-1999" and Local Electrical Codes. Use the National Electrical Code if Local Codes do not exist. The ceiling fan must be grounded as a precaution against possible electrical shock. Electrical installation should be made or approved by a licensed electrician.
3. The outlet box and joist must be securely mounted and capable of reliably supporting at least 50 pounds. Use only U.L. outlet boxes listed as acceptable for fan support, and use the mounting screws provided with the outlet box. Most outlet boxes commonly used for support of light fixtures are not acceptable for fan support and may need to be replaced. Consult a qualified electrician if in doubt.
4. The downrod furnished with the fan provides the minimum recommended floor to fan blade clearance for an 8 foot ceiling.
5. The fan must be mounted with the fan blades at least 7 feet from the floor to prevent accidental contact with the fan blades.
6. The fan must be installed on a level ceiling. Do NOT install the fan on a sloped or cathedral ceiling, unless the outlet box is installed so that the mounting surface (the bottom of the outlet box) is level. The receiver will be damaged, resulting in an inoperable fan and a possible electrical fire.
7. Follow the recommended instructions for the proper method of wiring your ceiling fan. If you do not know enough about electrical wiring, have your fan installed by a licensed electrician.

**WARNING: To avoid fire, shock or injury, do not use an Emerson or any other brand of control not specifically approved for this fan.**

**WARNING: This product is designed to use only those parts supplied with this product and/or any accessories designated specifically for use with this product by Emerson. Substitution of parts or accessories not designated for use with this product by Emerson could result in personal injury or property damage.**

**WARNING: To reduce the risk of personal injury, do not bend the blade flange when installing the blade flanges, balancing the blades or cleaning the fan. Do not insert foreign objects in between rotating fan blades.**

**WARNING: To reduce the risk of electric shock, this fan must be installed with an isolating wall control/switch.**

**DATE CODE:** \_\_\_\_\_

The date code of this fan may be found on the box, stamped in ink on a white label.

You should record this data above and keep it in a safe place for future use.

# This Manual Is Designed to Make it as Easy as Possible for You to Assemble, Install, Operate and Maintain Your Ceiling Fan

## Tools Needed for Assembly

- |                                   |                   |
|-----------------------------------|-------------------|
| One Phillips head screwdriver     | One stepladder    |
| One 1/4" blade screwdriver        | One wire stripper |
| Three wire connectors (supplied). |                   |

Installed Wire Length	Wire Size A.W.G.
Up to 50 ft.	14
50-100 ft.	12

- A 9-volt alkaline battery is required for operating the remote control.

## MATERIALS

- Wiring outlet box and box connectors must be of type required by the local code. The minimum wire would be a 3-conductor (2-wire with ground) of the following size:

### ⚠ WARNING

**Before assembly your ceiling fan, refer to section on proper method of wiring your fan (page 7). If you feel you do not have enough wiring knowledge or experience, have your fan installed by a licensed electrician.**

## Unpacking Instructions

For your convenience, check-off boxes are provided next to each step. As each step is completed, place a check mark in the box. This will insure that all steps have been completed and will be helpful in finding your place should you be interrupted.

### ⚠ WARNING

Do not install or use fan if any part is damaged or missing. Call Toll-Free:

**1-800-654-3545**

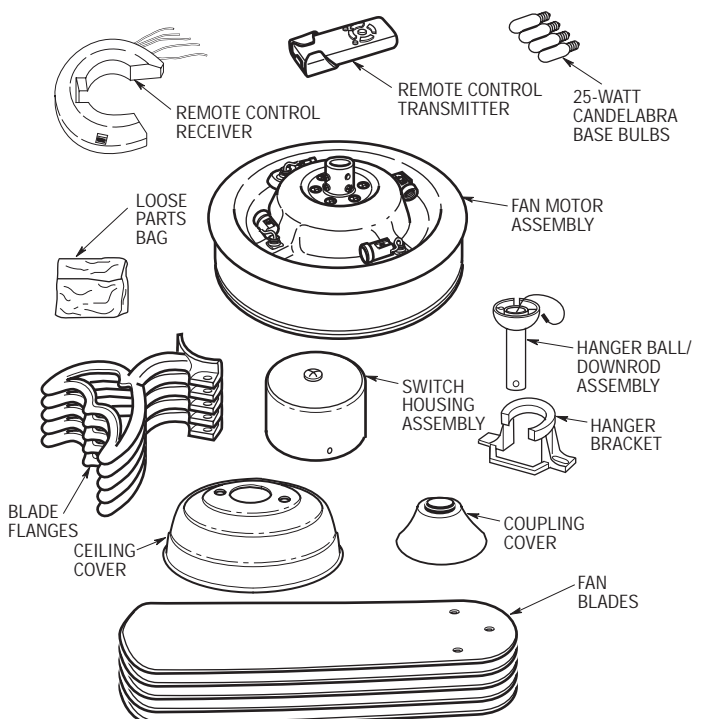
### ⚠ WARNING

This product is designed to use only those parts supplied with this product and/or any accessories designated specifically for use with this product by Emerson Electric Co. Substitution of parts or accessories not designated for use with this product by Emerson Electric Co. could result in personal injury or property damage.

**NOTE: Place the parts from the loose parts bags in a small container to keep them from being lost. If any parts are missing, contact your local retailer or catalog outlet for replacement before proceeding.**

- Remove the fan motor assembly from the protective plastic bag and place it into the lower foam pad with the top of the fan motor assembly facing up.

The lower foam pad serves as a holder for the fan during assembly.



- Check to see that you have received the following parts:

**NOTE: If you are uncertain of part description, refer to exploded view illustration.**

- Fan motor assembly
- One switch housing assembly
- Five fan blades
- One ceiling cover
- Five blade flanges
- One remote control (transmitter and receiver)
- Four 25-watt candelabra bulbs
- One hanger ball/downrod assembly
- One hanger bracket
- One coupling cover
- One loose parts bag containing:
  - Sixteen M5 x 6 washer head blade screws
  - Sixteen blade washers
  - One M6 x 14 captive screw with lockwasher
  - Three wire connectors
  - Two threaded studs
  - Two knurled knobs
  - Two lockwashers
  - One clevis pin
  - One hairpin clip

## IMPORTANT

This Owner's Manual is divided into two sections. The first section, **REMOTE CONTROL PROCEDURES**, describes how to install the 9-Volt alkaline battery (not supplied) in the remote control transmitter, and how to set the operating frequency of the transmitter and receiver. These instructions must be performed prior to installation of the ceiling fan as described in the second section, **CEILING FAN PROCEDURES**.

# REMOTE CONTROL PROCEDURES

## General

The remote control supplied with your Emerson ceiling fan consists of a hand-held transmitter and a receiver which is mounted under the fan ceiling cover. The remote control is designed to separately control your ceiling fan and light intensities. There are four push buttons (HI, MED, LOW, OFF) to set the fan speed and turn the fan off. The REV push button changes the airflow direction of the fan blades. The U/L (uplight) and D/L (downlight) pushbuttons turn the lights on and off and control the light intensities. The red indicator light will illuminate while any button is pressed, indicating that the battery is good.

The remote control transmitter is powered by a 9-Volt alkaline battery (not supplied). To prevent possible damage if the battery should leak, be sure to remove the battery when the control is not to be used for an extended period of time.

Code switches in the transmitter and receiver may be set in 16 different positions. If your fan and light go on and off without using your control, you may be getting interference from other remote units such as garage door openers, car alarms or security systems. To remedy this situation, simply change the combination code in your transmitter and receiver.

## Preset Memory Feature

Your Emerson remote control receiver is equipped with a preset memory feature. If the electrical supply to the receiver is controlled through a wall switch, when the switch is turned off, the control will remember the light intensities and fan speed. When the switch is turned back on, the lights and fan will resume operation as they were prior to the switch being turned off.

## Installation of Battery

1. Remove the battery cover and install a 9-Volt alkaline battery (not supplied), oriented as shown in the battery compartment (Figure 1).

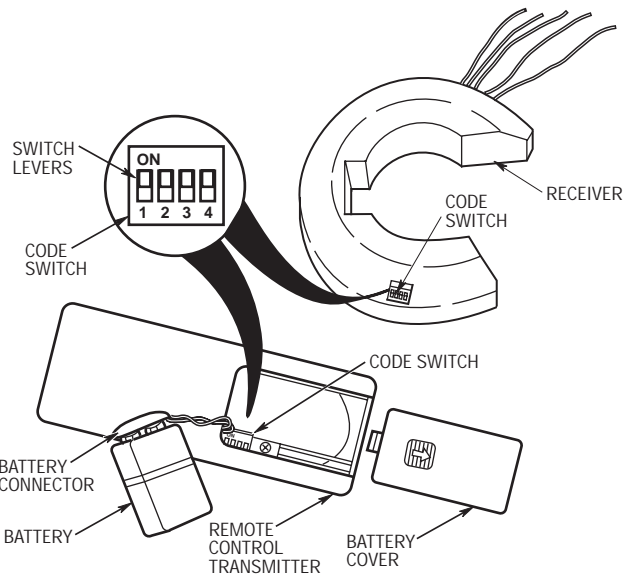


Figure 1

## Setting Operating Frequency of Transmitter and Receiver

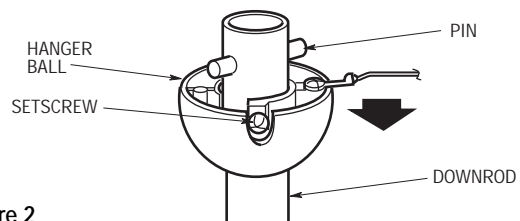
Your remote control transmitter and receiver have code switches which must be set on one of 16 possible code combinations. The four levers (numbered 1, 2, 3, and 4) on the switches are factory-set in the ON (up) position. Do not use this setting. Change the switch settings as follows:

1. Slide the four switch levers (Figure 1) in the remote control transmitter to your choice of ON (up) or down positions. Use a ball-point pen or small screwdriver and slide the levers firmly up or down.
2. In the receiver, slide the four switch levers in the same positions as set in the transmitter. Make sure the levers on both switches are in the same positions; otherwise the fan will not operate.
3. Position the battery in the transmitter battery compartment and replace the battery cover.

# CEILING FAN PROCEDURES

## How to Put Your Ceiling Fan Together

1. Remove the hanger ball by loosening the setscrew in the hanger ball until the ball falls freely down the downrod (Figure 2). Remove the pin from the downrod, then remove the hanger ball. Retain the pin and hanger ball for reinstallation in step 6.



4 Figure 2

2. Separate, untwist and unkink the four 80" motor leads. Route the motor lead wires through the downrod. Remove the setscrews from the motor coupling. Align the clevis pin holes in the downrod with the holes in the motor coupling. Install the clevis pin and secure with the hairpin clip (Figure 3). The clevis pin must go through the holes in the motor coupling and the holes in the downrod. Be sure to push the straight leg of the hairpin clip through the hole near the end of the clevis pin until the curved portion of the hairpin clip snaps around the clevis pin. The hairpin clip must be properly installed to prevent the clevis pin from working loose. Pull on the downrod to make sure the clevis pin is properly installed. Reinstall the setscrews in the motor coupling. Check that the setscrews are tightened securely (Figure 3).

**NOTE: The setscrew must be properly installed as described above, or fan wobble could result.**

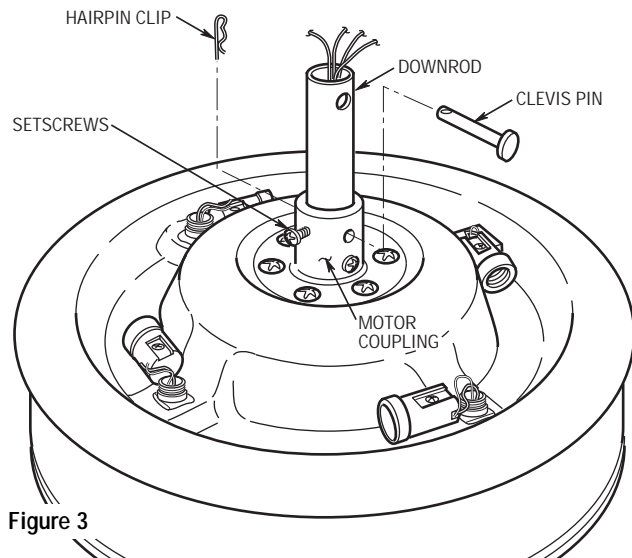
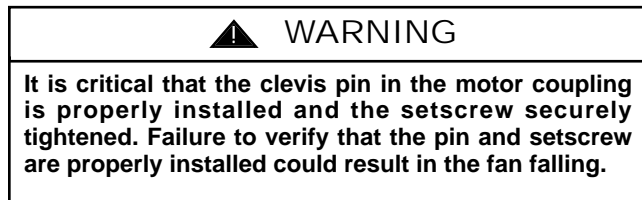


Figure 3

3. Make sure the grommet is properly installed in the coupling cover, then slide the coupling cover on the downrod until it rests on the motor housing. Place the ceiling cover over the downrod. Be sure that the ceiling cover and the coupling cover are both oriented correctly (Figure 4).

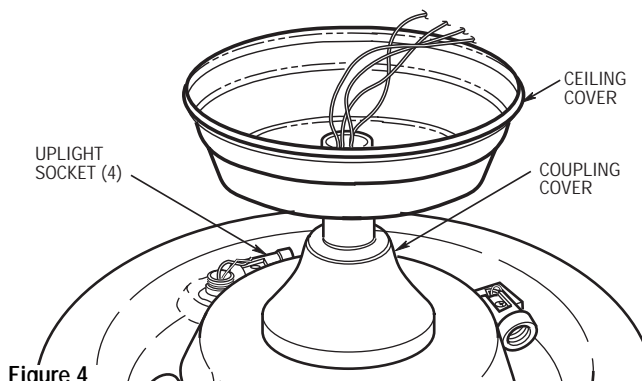
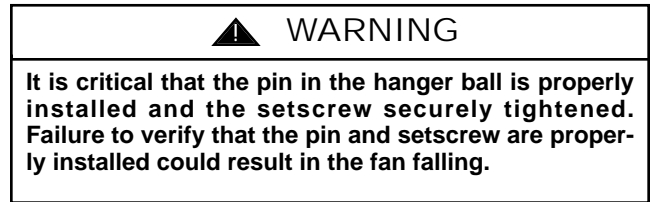


Figure 4

4. Reinstall the hanger ball (Figure 5) on the downrod as follows. Route the four 80" motor leads through the hanger ball. Position the pin through the two holes in the downrod and align the hanger ball so the pin is captured in the groove in the top of the hanger ball. Pull the hanger ball up tight against the pin and securely tighten the setscrew in the hanger ball. A loose setscrew could create fan wobble.



5. Screw the four 25-watt candelabra bulbs into the upright sockets on top of the fan motor assembly (Figure 4).

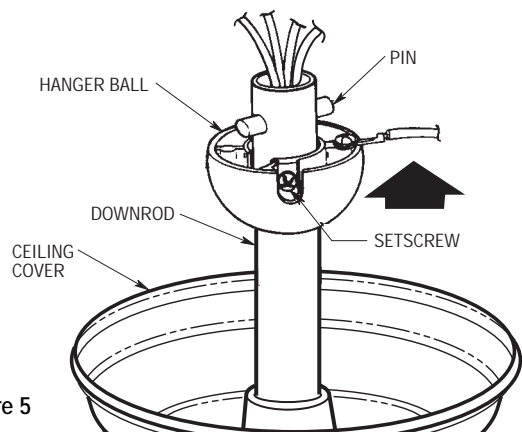
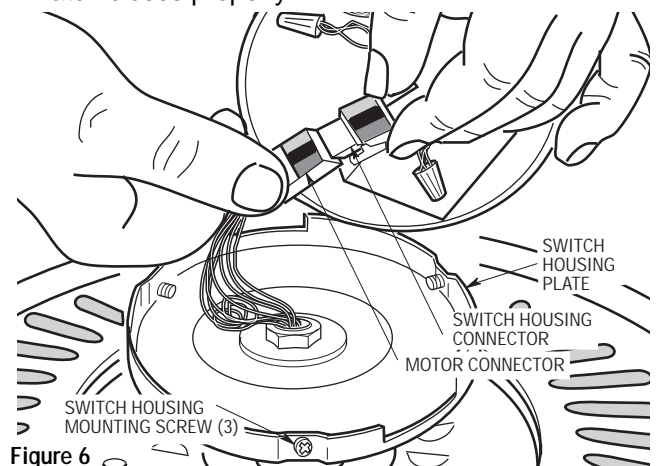


Figure 5

6. The fan comes with blue, black, orange and white leads that are 80" long. Before installing fan, measure up approximately 6 to 9-inches above top of hanger ball/downrod assembly. Cut off excess leads and strip back insulation 1/2-inch from end of leads.
7. Turn the fan assembly upside down in preparation for mounting the switch housing assembly and fan blades.
8. Engage the connector of the switch housing assembly with the motor connector (Figure 6). The two connectors are keyed and color-coded and must be mated correctly (color-to-color) before they can be engaged. Make sure the connector latch closes properly.



5

Figure 6

- 9. Remove the three switch housing mounting screws (Figure 6) from the switch housing plate. Position the switch housing assembly on the switch housing plate and align the holes in the switch housing assembly with the holes in the plate. Secure the switch housing assembly by installing the three screws (Figure 7).

**▲ WARNING**

To avoid possible fire or shock, do not pinch wires between the switch housing assembly and the housing plate.

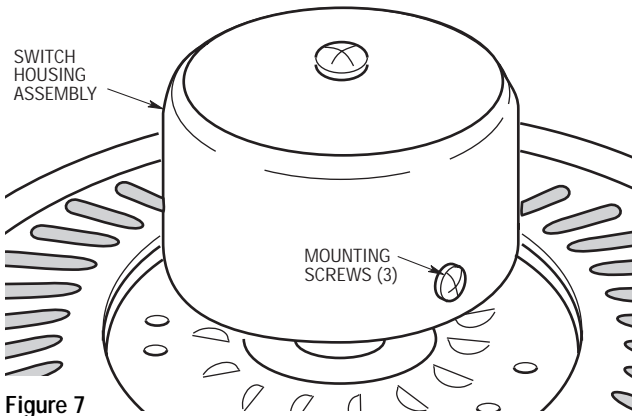


Figure 7

- 10. Mount blade flanges to fan blades using three M5 x 6 washer head blade screws and three blade washers (Figure 8).

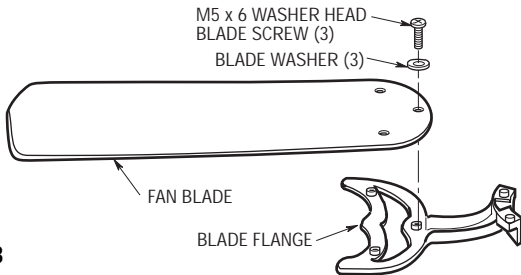


Figure 8

**NOTE:** Take care not to scratch fan housing when installing blades.

**NOTE:** Remove and discard the five shipping spacers and screws from the motor hub.

- 11. Loosely attach one blade assembly to the motor hub using two M6 x 14 captive screws with lockwashers (Figure 9). Make sure the screws are NOT tightened. Repeat this procedure for other four blade assemblies.

**▲ WARNING**

To reduce the risk of personal injury, do not bend the blade flange when installing the blade flanges, balancing the blades or cleaning the fan. Do not insert foreign objects in between rotating fan blades.

- 12. The blade flanges have an interlocking feature that must be fully engaged before tightening the screws. Make sure all the flanges are properly engaged and then tighten the flange screws. If one of the flanges does not seat properly on the motor hub, loosen the adjacent flange screws, re-engage and reseat the flanges, then tighten the screws again.

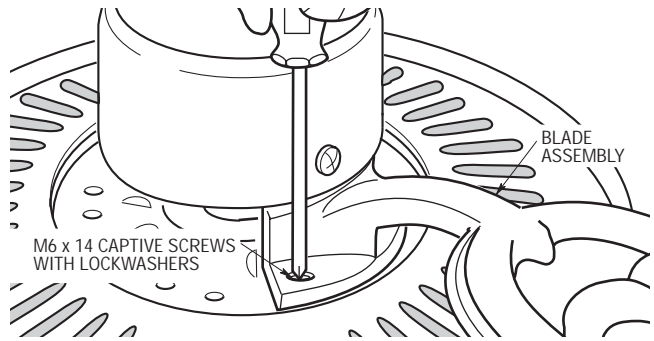


Figure 9

- 13. You have now completed the assembly of your new ceiling fan. You can now proceed with hanging and wiring your fan.

## Electrical Requirements

Your new ceiling fan will require a grounded electrical supply line of 120 volts AC, 60 Hz, 15 amp circuit.

The outlet box must be securely anchored and capable of withstanding a load of at least 50 pounds.

**▲ WARNING**

To reduce the risk of fire, electric shock, or personal injury, mount fan to outlet box marked acceptable for fan support, and use screws supplied with outlet box. Most outlet boxes commonly used for support of light fixtures are not acceptable for fan support and may need to be replaced. Consult a qualified electrician if in doubt.

If your fan is to replace an existing ceiling light fixture, turn electricity off at the main fuse box at this time and remove the existing light fixture.

**▲ WARNING**

Turning off wall switch is not sufficient. To avoid possible electrical shock, be sure electricity is turned off at the main fuse box before wiring. All wiring must be in accordance with National and Local codes and the ceiling fan must be properly grounded as a precaution against possible electrical shock.

**▲ WARNING**

To avoid fire or shock, follow all wiring instructions carefully. Any electrical work not described in these instructions should be done or approved by a licensed electrician.

# How to Hang Your Ceiling Fan

## ⚠ WARNING

The fan must be hung with at least 7' of clearance from floor to blades (Figure 10).

The fan must be installed on a level ceiling. Do NOT install the fan on a sloped or cathedral ceiling, unless the outlet box is installed so that the mounting surface (the bottom of the outlet box) is level. The receiver will be damaged, resulting in an inoperable fan and a possible electrical fire.

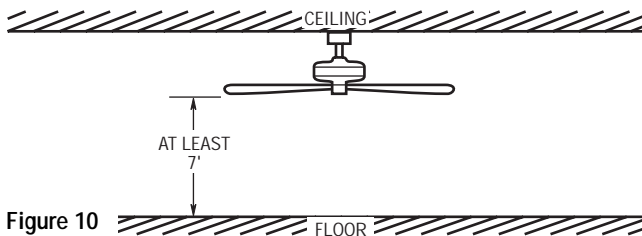


Figure 10

## ⚠ WARNING

The outlet box must be securely anchored and capable of withstanding a load of at least 50 lbs.

## ⚠ WARNING

To reduce the risk of fire, electric shock, or personal injury, mount fan to outlet box marked acceptable for fan support, and use screws supplied with outlet box. Most outlet boxes commonly used for support of light fixtures are not acceptable for fan support and may need to be replaced. Consult a qualified electrician in in doubt.

1. Securely attach the hanger bracket to the outlet box using the two screws supplied with the outlet box. (Figure 11.)

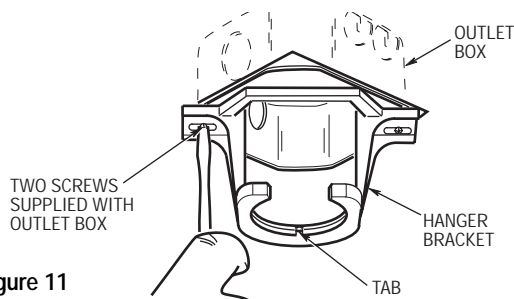


Figure 11

2. Carefully lift the fan and seat the hanger ball/downrod assembly on the hanger bracket that was just attached to the outlet box (Figure 12). Be sure the groove in the ball is lined up with tab on the hanger bracket (Figure 11).

## ⚠ WARNING

Hanger bracket must seat firmly against outlet box. If the outlet box is recessed, remove wall board until bracket contacts box. If bracket and/or outlet box are not securely attached, the fan could wobble or fall.

## ⚠ WARNING

Failure to seat tab in groove could cause damage to electrical wires and possible shock or fire hazard.

## ⚠ WARNING

To avoid possible fire or shock, do not pinch wires between the hanger ball/downrod assembly and hanger bracket.

NOTE: CEILING COVER, SUPPLY WIRES AND FAN WIRES OMITTED FOR CLARITY.

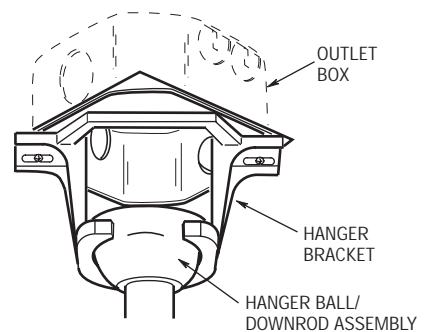


Figure 12

# How to Wire the Ceiling Fan and Install the Receiver

If you feel that you do not have enough electrical wiring knowledge or experience, have your fan installed by a licensed electrician.

## ⚠ WARNING

To avoid possible electrical shock, be sure electricity is turned off at the main fuse box before wiring.

NOTE: If you are not sure if the outlet box is grounded, contact a licensed electrician for advice, as it must be grounded for safe operation.

1. Pull the wire leads, coming from the end of the downrod, and the supply wires through the open side of the hanger bracket. (Figure 13).
2. Position the SW105 Receiver in the ceiling cover so that the flat side of the receiver faces up and the open portion of the receiver is to the right, as shown (Figure 13).

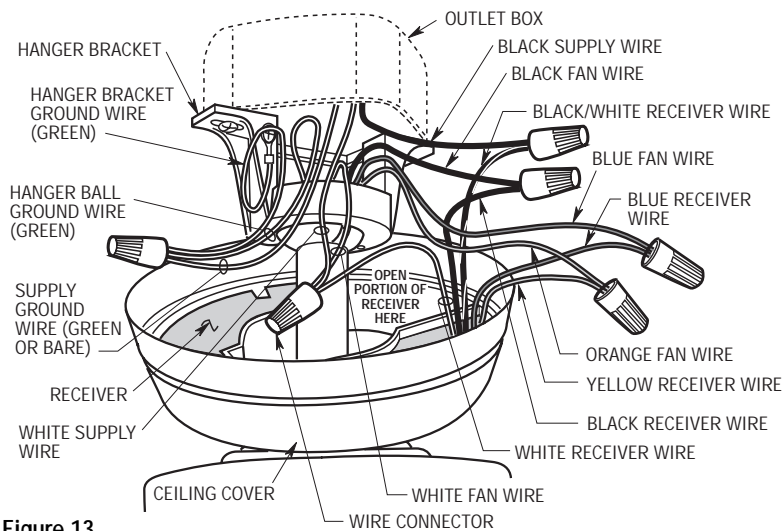


Figure 13

- 4. Insert the connected ends of the wires up through the open side of the hanger bracket and into the outlet box as shown in Figure 15.
- 5. Screw two 1-1/4" threaded studs (supplied with the ceiling fan) into the tapped holes in the hanger bracket (Figure 15).

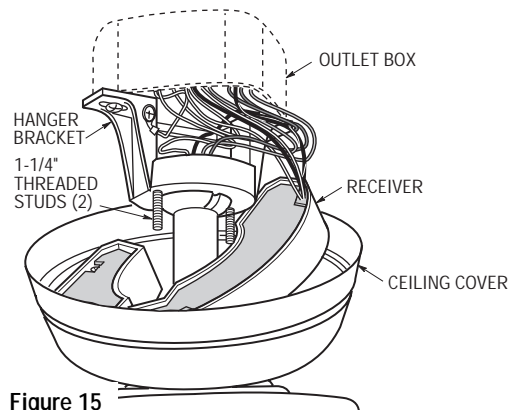


Figure 15

- 3. Using wire connectors (supplied), make wiring connections as follows (Figure 13 and 14):
  - a. Connect the green ground wires from the hanger bracket and the hanger ball to the supply ground wire (bare or green).
  - b. Connect the white fan wire and the white supply wire to the white receiver wire (AC IN/MOTOR N).
  - c. Connect the black fan wire to the black receiver wire (TO MOTOR L).
  - d. Connect the black supply wire to the black/white receiver wire (AC IN L).
  - e. Connect the blue fan wire to the blue receiver wire (BOTTOM LIGHT).
  - f. Connect the orange fan wire to the yellow receiver wire (UPPER LIGHT).
  - g. After connecting the wires, spread them apart so that the green and white wires are on one side of the outlet box and the black wire is on the other side. Make sure that black antenna wire sits on top of the receiver unit.

- 6. Slide the receiver up and over the hanger bracket. Press the receiver against the ceiling, holding it in place while installing the ceiling cover. Lift the ceiling cover up to the threaded studs and turn until studs protrude through the holes in the ceiling cover (Figure 16).
- 7. Secure the ceiling cover in place by sliding lock-washers over the threaded studs and installing the two knurled knobs (supplied) (Figure 16). Tighten the knurled knobs securely until the ceiling cover fits snugly against the ceiling. Your fan is now wired to be controlled using the remote control transmitter.

**⚠ WARNING**

**Check to see that all connections are tight, including ground, and that no bare wire is visible at the wire connectors, except for the ground wire. Do not operate fan until blades are in place. Noise and fan damage could result.**

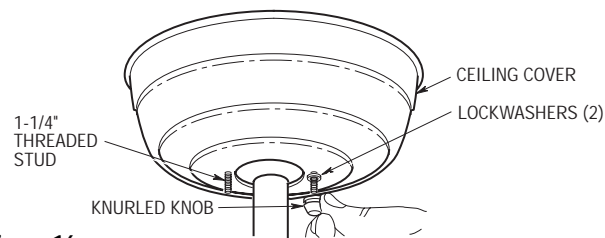


Figure 16

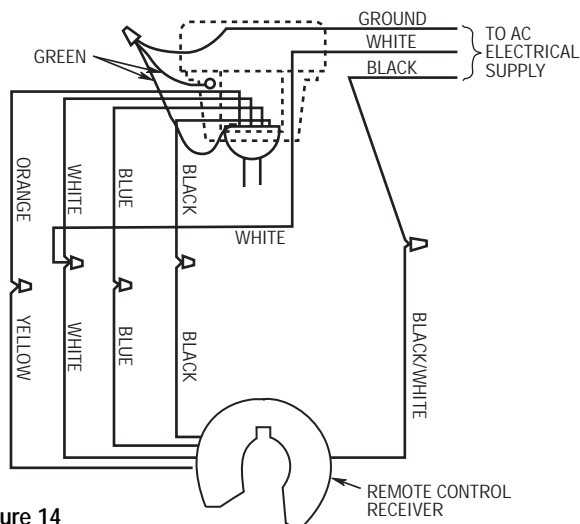


Figure 14

**⚠ WARNING**

**To avoid possible fire or shock, make sure that the electrical wires are completely inside the outlet box and not pinched between the ceiling cover and the ceiling.**

**NOTE: If you are using an Emerson Light Fixture with your fan, refer to the Light Fixture Owner's Manual for installation instructions.**

# Maintenance

## IMPORTANT CARE INSTRUCTIONS for your Ceiling Fan

Periodic cleaning of your new ceiling fan is the only maintenance that is needed.

When cleaning, use only a soft brush or lint free cloth to avoid scratching the finish.

Abrasive cleaning agents are not required and should be avoided to prevent damage to finish.

### ▲ WARNING

Do not use water when cleaning your ceiling fan. It could damage the motor or the blades and create the possibility of an electrical shock.

**NOTE:** To prevent damage to the receiver, turn "off" the electricity at the wall switch before installing or removing light bulbs on the ceiling fan or light fixture.

# Accessories

1. Ceiling Fan Light Kits (see store or catalog).
2. Downrod Extension Kits (see store or catalog).

### ▲ WARNING

The use of any other control not specifically approved for this fan could result in fire, shock and personal injury.

### ▲ WARNING

This product is designed to use only those parts supplied with this product and/or any accessories designated specifically for use with this product by Emerson Electric Co. Substitution of parts or accessories not designated for use with this product by Emerson Electric Co. could result in personal injury or property damage.

# Operation

## IMPORTANT

**Fan installation must be completed, including the installation of the fan blades, before testing of the remote control.**

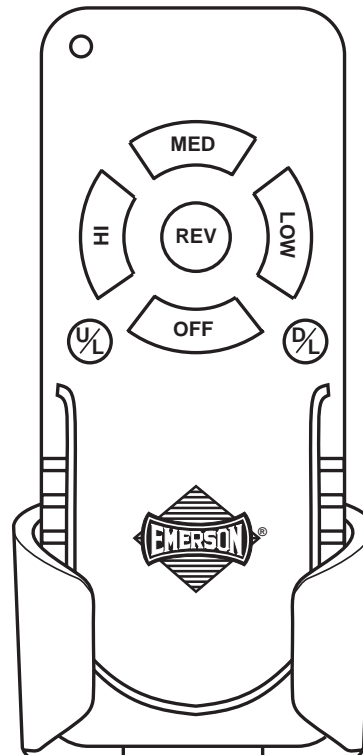
Your remote control has full control of your fan and lights (Figure 17).

**NOTE:** Prior to operation of the down light from the remote control, make sure the switch on the light is ON.

1. To set the desired fan speed, press the HI, MED, or LOW button to operate your fan on high, medium, or low speed.
2. To turn your fan off, press the OFF button.
3. To change the airflow direction of the fan blades, press the REV button.
4. To turn the downlight on, press and release the D/L button. The light will turn on at the light intensity previously selected.
5. To turn the uplight on, press and release the U/L button. The light will turn on at the light intensity previously selected.
6. To vary the intensity of the light, hold the U/L or D/L button down until the desired light intensity is reached, then release the button.

# Installation of Storage Bracket

A storage bracket is supplied with the remote control for holding the control unit when not in use. If you desire to use the bracket, use the two screws (supplied) and install it on a wall that is away from excess heat or humidity.



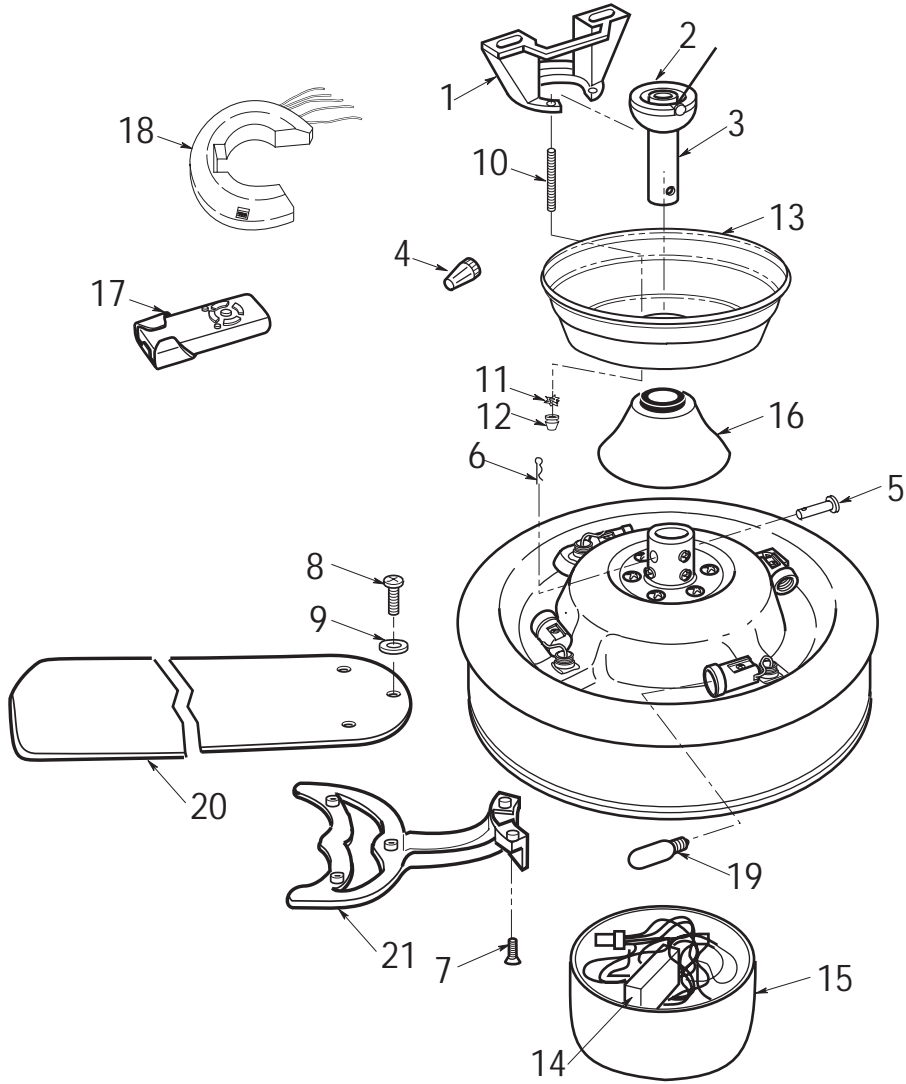
9 Figure 17

**▲ WARNING: For your own safety, turn off power at fuse box or circuit breaker before trouble shooting your fan.**

## Trouble Shooting

TROUBLE	PROBABLE CAUSE	SUGGESTED REMEDY
<b>1. Fan will not start.</b>	<ol style="list-style-type: none"> <li>1. Fuse or circuit breaker blown.</li> <li>2. Loose power line connections to the fan, or loose receiver wire connections in the ceiling cover.</li> <li>3. Dead battery in Remote Control transmitter.</li> <li>4. Code switches in Remote Control receiver and transmitter are not in same positions.</li> </ol>	<ol style="list-style-type: none"> <li>1. Check main and branch circuit fuses or circuit breakers.</li> <li>2. Check line wire connections to fan and receiver wire connections in the ceiling cover. <b>▲ WARNING: Make sure main power is turned OFF.</b></li> <li>3. Replace battery (red indicator light on transmitter should light when any button is pressed).</li> <li>4. Check that code switches are in same positions. Reset if necessary.</li> </ol>
<b>2. Fan sounds noisy.</b>	<ol style="list-style-type: none"> <li>1. Blades not attached to fan.</li> <li>2. Loose screws in motor housing.</li> <li>3. Screws securing fan blade flanges to motor hub are loose.</li> <li>4. Wire connectors inside cup assembly rattling.</li> <li>5. Screws holding blades to flanges are loose.</li> </ol>	<ol style="list-style-type: none"> <li>1. Attach blades to fan before operating.</li> <li>2. Check to make sure all screws in motor housing are snug (not over-tight).</li> <li>3. Check to make sure the screws which attach the fan flanges to the motor hub are tight.</li> <li>4. Check to make sure wire connectors in cup assembly are not rattling against each other or against the interior wall of the cup assembly. <b>▲ WARNING: Make sure main power is turned OFF.</b></li> <li>5. Tighten screws securely.</li> </ol>
<b>3. Fan wobbles excessively.</b>	<ol style="list-style-type: none"> <li>1. Setscrew in motor coupling is loose.</li> <li>2. Setscrew in hanger ball/downrod assembly is loose.</li> <li>3. Screws securing fan blade flanges to motor are loose.</li> <li>4. Fan blade flanges not seated properly.</li> <li>5. Hanger bracket and/or ceiling outlet box is not securely fastened.</li> <li>6. Fan blades out of balance.</li> </ol>	<ol style="list-style-type: none"> <li>1. Tighten setscrew securely in the motor coupling.</li> <li>2. Tighten the setscrew in the hanger ball/downrod assembly.</li> <li>3. Check to be sure screws which attach the fan blade flanges to the motor are tight.</li> <li>4. Check to be sure the fan blade flanges seat firmly and uniformly to the surface of the motor. If flanges are seated incorrectly, loosen the flange screws and retighten according to the procedure in the section on "How to Put Your Ceiling Fan Together".</li> <li>5. Tighten the hanger bracket screws to the outlet box, and/or secure outlet box.</li> <li>6. Interchanging an adjacent (side-by-side) blade pair can redistribute the weight and result in smoother operation.</li> </ol>

# Repair Parts



# Repair Parts Listing

Key No.	Description	Model No.						
		CF759WW03	CF759ORB03	CF759AB03	CF759OB03	CF759BS03	CF759WB03	CF759AW03
*	Hanger Ball Assembly, Consisting of:	761655	761655-32	761655-3	761655-9	761655-17	761655-20	761655-21
1	Hanger Bracket	—	—	—	—	—	—	—
2	Hanger Ball	—	—	—	—	—	—	—
3	Downrod	—	—	—	—	—	—	—
*	Parts Bag Containing:	763160-1	763160	763160	763160	763160-1	763160	763160-1
4	Wire Connector (3)	—	—	—	—	—	—	—
5	Pin, Clevis	—	—	—	—	—	—	—
6	Clip, Hairpin	—	—	—	—	—	—	—
7	Screw, M6 x 14 (1)	—	—	—	—	—	—	—
8	Screw, M5 x 6 (16)	—	—	—	—	—	—	—
9	Washer, Blade (16)	—	—	—	—	—	—	—
10	Threaded Stud (2)	—	—	—	—	—	—	—
11	Lockwasher (2)	—	—	—	—	—	—	—
12	Knurled Knob (2)	—	—	—	—	—	—	—
13	Canopy, Ceiling	761620	761620-33	761620-3	761620-9	761620-25	761620-26	761620-29
14	Harness, Reversing	763159	763159	763159	763159	763159	763159	763159
15	Switch Housing Assembly	763158-WW	763158-ORB	763158-AB	763158-OB	763158-BS	763158-WB	763158-AW
16	Cover, Coupling	762463-15	762463-16	762463-4	762463	762463-8	762463-1	762463-5
17	Transmitter, Remote Control	762281	762281	762281	762281	762281	762281	762281
18	Receiver, Remote Control	762401	762401	762401	762401	762401	762401	762401
19	Bulb, 25-W Candelabra	—	—	—	—	—	—	—
20	Blade (set of 5)	761859-22	761859-32	761859-8	761859-5	761859-30	761859-24	761859-23
21	Flange (set of 5)	763154-WW	763154-ORB	763154-AB	763154-OB	763154-BS	763154-WB	763154-AW
—	Owner's Manual	BP7318	BP7318	BP7318	BP7318	BP7318	BP7318	BP7318

**Before discarding packaging material, be certain all parts have been removed.**

## HOW TO ORDER REPAIR PARTS

WHEN ORDERING REPAIR PARTS, ALWAYS GIVE THE FOLLOWING INFORMATION:

- PART NUMBER
- NAME OF ITEM
- PART DESCRIPTION
- MODEL NUMBER

For repair parts, phone 1-800-654-3545.



**EMERSON™**

Air Comfort Products

DIVISION OF EMERSON ELECTRIC CO.  
8100 W. Florissant • St. Louis, MO 63136