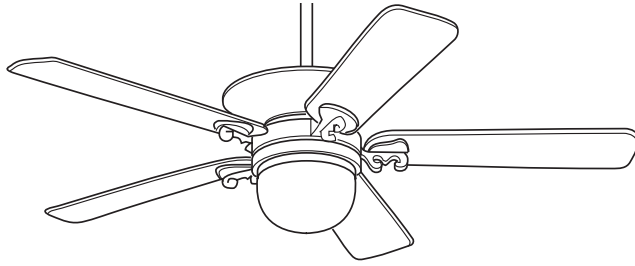


# READ AND SAVE THESE INSTRUCTIONS



  
**EMERSON**<sup>™</sup>  
 BANFF<sup>™</sup>

52" Ceiling Fan  
 Owner's Manual

Model No.  
 CF720ORB00  
 CF720PW00  
 CF720WB00

Net Weight: 22.2 Lbs.

## INSTRUCTION TO THE USER (if device contains a digital device)

This equipment has been tested and found to comply with the limits for a Class B digital device, pursuant to part 15 of the FCC Rules. These limits are designed to provide reasonable protection against harmful interference in a residential installation. This equipment generates, uses and can radiate radio frequency energy and if not installed and used in accordance with the instructions, may cause harmful interference to radio communications. However, there is no guarantee that interference will not occur in a particular installation. If this equipment does cause harmful interference to radio or television reception, which can be determined by turning the equipment off and on, the user is encouraged to try to correct the interference by one or more of the following measures:

- Reorient or relocate the receiving antenna.
- Increase the separation between the equipment and receiver.
- Connect the equipment into an outlet on a circuit different from that to which the receiver is connected.
- Consult the dealer or an experienced radio/TV technician for help.

This equipment has been certified to comply with the limits for a Class B computing device, pursuant to FCC Rules. In order to maintain compliance with FCC regulations, shielded cables must be used with this equipment. Operation with non-approved equipment or unshielded cables is likely to result in interference to radio and TV reception. The user is cautioned that changes and modifications made to the equipment without the approval of manufacturer could void the user's authority to operate this equipment.

This Class B digital apparatus meets all requirements of the Canadian Interference-Causing Equipment Regulations.

 **WARNING**

**WARNING:** To avoid fire, shock, and serious personal injury, follow these instructions.

### Safety Instructions

1. Read your owner's manual carefully and keep it for future reference.
2. Before servicing or cleaning unit, switch power off at service panel and lock service panel disconnecting means to prevent power from being switched on accidentally. When the service disconnecting means cannot be locked, securely fasten a warning device, such as a tag, to the service panel.
3. Be careful of the fan and blades when cleaning, painting, or working near the fan. Always turn off the power to the ceiling fan before servicing.
4. Do not put anything into the fan blades while they are turning.
5. Do not operate reversing switch until fan blades have come to a complete stop.

### Additional Safety Instructions for Installation

1. To avoid possible shock, be sure electricity is turned off at the fuse box before wiring, and do not operate fan without blades.
2. The installation is to be in accordance with the National Electrical Code, ANSI/NFPA 70-1999 and Local Codes. Use the National Electrical Code if Local Codes do not exist. The ceiling fan must be grounded as a precaution against possible electrical shock. Electrical installation should be made or approved by a licensed electrician.
3. The outlet box and joist must be securely mounted and capable of reliably supporting at least 50 pounds. Use only U.L. outlet boxes listed as "Acceptable for Fan Support", and use the mounting screws provided with the outlet box. Most outlet boxes commonly used for support of light fixtures are not acceptable for fan support and may need to be replaced. Consult a qualified electrician if in doubt.
4. The fan must be mounted with the fan blades at least 7 feet from the floor to prevent accidental contact with the fan blades.
5. Follow the recommended instructions for the proper method of wiring your ceiling fan. If you do not know enough about electrical wiring, have your fan installed by a licensed electrician.

**NOTE:** This fan is suitable for use with solid-state speed controls.

**WARNING:** To reduce the risk of fire or electric shock, this fan should only be used with fan speed control Model No. UC7067RC, manufactured by Rhine Electric Co., Ltd.

**WARNING:** This product is designed to use only those parts supplied with this product and/or any accessories designated specifically for use with this product by Emerson Electric Co. Substitution of parts or accessories not designated for use with this product by Emerson Electric Co. could result in personal injury or property damage.

**WARNING:** To reduce the risk of personal injury, do not bend the blade flange when installing the blade flanges, balancing the blades or cleaning the fan. Do not insert foreign objects in between rotating fan blades.

**WARNING:** To reduce the risk of electric shock, this fan must be installed with an isolating wall control/switch.

#### DATE CODE:

The date code of this fan may be found on the box, stamped in ink on a white label. You should record this data above and keep it in a safe place for future use.

## This Manual is Designed to Make it as Easy as Possible for You to Assemble, Install, Operate and Maintain Your Ceiling Fan

### Tools Needed for Assembly

One Phillips head screwdriver  
 One wire stripper  
 One stepladder  
 Five wire connectors (supplied)  
 Four 15-watt (maximum) candelabra bulbs (not supplied)  
 Two 60-watt (maximum) candelabra bulbs (not supplied)

Installed Wire Length	Wire Size A.W.G.
Up to 50 ft.	14
50-100 ft.	12

### Materials

Wiring, outlet box and box connectors must be of type required by the local code. The minimum wire would be a 3-conductor (2-wire with ground) of the following sizes:



### WARNING

Before assembling your ceiling fan, refer to section on proper method of wiring your fan (page 10). If you feel you do not have enough wiring knowledge or experience, have your fan installed by a licensed electrician.

## Unpacking Instructions

For your convenience, check-off boxes are provided next to each step. As each step is completed, place a check mark in the box. This will insure that all steps have been completed and will be helpful in finding your place should you be interrupted.



### WARNING

Do not install or use fan if any part is damaged or missing. Call Toll-Free:

**1-800-654-3545**



### WARNING

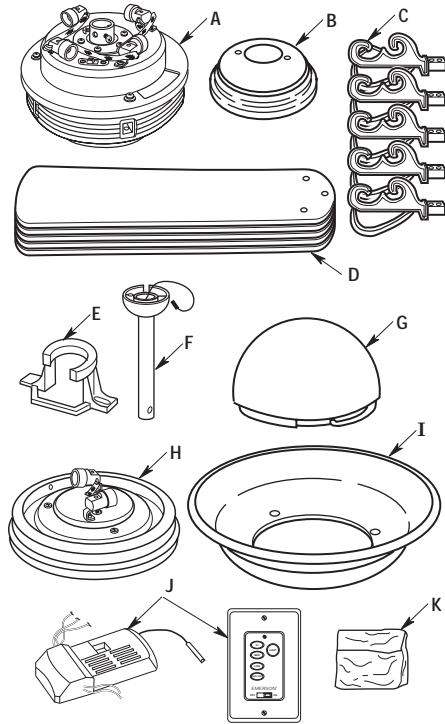
This product is designed to use only those parts supplied with this product and/or any accessories designated specifically for use with this product by Emerson Electric Co. Substitution of parts or accessories not designated for use with this product by Emerson Electric Co. could result in personal injury or property damage.

**NOTE: If you are uncertain of part description, refer to exploded view illustration.**

- a. Fan motor and housing upright assembly
- b. One ceiling canopy
- c. Five blade flanges
- d. Five fan blades
- e. One hanger bracket
- f. One hanger ball/downrod assembly
- g. One lower glass bowl
- h. One downlight fitter assembly
- i. One upper glass
- j. One SW101 Fan/Light Wall Control

1. Open styrofoam unit containing fan. Remove top half of styrofoam unit. Remove parts and check to see that you have received the following parts:

- k. One loose parts bag containing:
1. Two 1-1/4" threaded studs
  2. Two knurled knobs
  3. Two lockwashers
  4. Three wire connectors
  5. One clevis pin
  6. One hairpin clip
  7. Eleven M5 x 16mm oval head screws
  8. Sixteen M5 x 6mm slotted Phillips washer head screws



**NOTE:** Place the parts from the loose parts bags in a small container to keep them from being lost.

2. Remove the fan motor and housing upright assembly from the protective plastic bag. Place the fan motor and housing upright assembly on a padded work surface with the bottom of the motor facing up.

**IMPORTANT:** Remove the two cardboard retainers from between the housing upright and the motor housing.

## Electrical Requirements

**IMPORTANT:** Your ceiling fan will not function properly, and may be damaged, if used with any wall dimmer switch or control other than the Emerson Electric SW101 Fan/Light Wall Control supplied with the fan, or an optional Emerson Electric SR100 Remote Control.

Your new ceiling fan will require a grounded electrical supply line of 120 volts AC, 60 Hz, 15 amp circuit.

The outlet box must be securely anchored and capable of withstanding a load of at least 50 pounds.

### ⚠ WARNING

To reduce the risk of fire, electric shock, or personal injury, mount fan to outlet box marked "Acceptable for Fan Support", and use screws supplied with outlet box. Most outlet boxes commonly used for support of light fixtures are not acceptable for fan support and may need to be replaced. Consult a qualified electrician if in doubt.

If your fan is to replace an existing ceiling light fixture, turn electricity off at the main fuse or circuit breaker box at this time and remove the existing light fixture.

### ⚠ WARNING

Turning off wall switch is not sufficient. To avoid possible electrical shock, be sure electricity is turned off at the main fuse or circuit breaker box before wiring. All wiring must be in accordance with National and Local codes and the ceiling fan must be properly grounded as a precaution against possible electrical shock.

## Ceiling Fan Procedures

### General

Your Emerson ceiling fan comes supplied with a SW101 Fan/Light Wall Control and a Remote Control Receiver. This system allows you to regulate your ceiling fan speed and light intensity.

**NOTE: An optional Emerson Electric SR100 Remote Control may also be used to control your ceiling fan.**

### How to Assemble Your Ceiling Fan

#### ⚠ WARNING

Turning off wall switch is not sufficient. To avoid possible electrical shock, be sure electricity is turned off at the main fuse or circuit breaker box before wiring. All wiring must be in accordance with National and Local codes and the ceiling fan must be properly grounded as a precaution against possible electrical shock.

**IMPORTANT:** Before assembling your ceiling fan, refer to the Owner's Manual supplied with the SW101 Fan/Light Wall Control and set the operating frequency of the fan/light wall control and the Remote Control Receiver. Also, install the fan/light wall control in the wall box as described in the wall control Owner's Manual. You are now ready to proceed with the assembly and installation of your ceiling fan.

- 1. Mount the fan blades to the blade flanges using three M5 x 6mm slotted Phillips washer head screws (Figure 1).

#### ⚠ WARNING

To reduce the risk of personal injury, do not bend the blade flange when installing the blade flanges, balancing the blades or cleaning the fan. Do not insert foreign objects in between rotating fan blades.

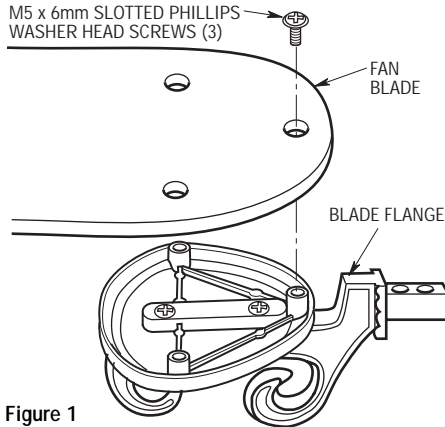


Figure 1

- 2. Rotate the motor and housing upright assembly so that one of the flange slots in the motor and housing upright assembly lines up below the access cutout in the motor and housing upright assembly (Figure 2). Insert the blade flange through the slot and line up the holes in the flange with the threaded holes in the motor and housing upright assembly.

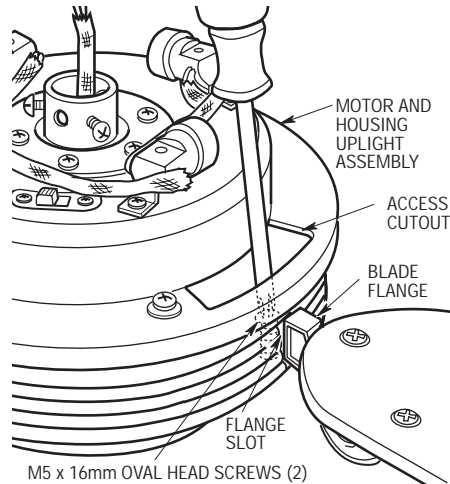


Figure 2

#### ⚠ WARNING

To reduce the risk of personal injury, do not bend the blade flange when installing the blade flanges, balancing the blades or cleaning the fan. Do not insert foreign objects in between rotating fan blades.

- 3. Carefully position a M5 x 16mm oval head screw in one flange hole and loosely tighten the screw (Figure 2). Install the second screw in the same manner and securely tighten both screws. Repeat steps 2 and 3 for the remaining four blade assemblies.

**NOTE: Take care not to scratch the fan housing when installing the blade assemblies.**

- 4. Remove the hanger ball by loosening the setscrew in the hanger ball until the ball falls freely down the downrod (Figure 3). Remove the pin from the downrod, then remove the hanger ball. Retain the pin and hanger ball for reinstallation in step 10.

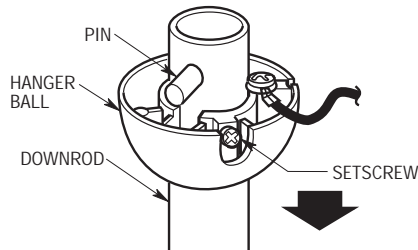


Figure 3

- 5. Unscrew the two setscrews (Figure 4) until they clear the inside of the motor coupling. Then separate, untwist and unkink the three 80" motor leads. Route the motor lead wires through the downrod. Align the clevis pin holes in the downrod with the holes in the motor coupling. Install the clevis pin and secure with the hairpin clip (Figure 4). The clevis pin must go through the holes in the motor coupling and the holes in the downrod. Be sure to push the straight leg of the hairpin clip through the hole near the end of the clevis pin until the curved portion of the hairpin clip snaps around the clevis pin. The hairpin clip must be properly installed to prevent the clevis pin from working loose. Pull up on the downrod to make sure the clevis pin is properly installed.

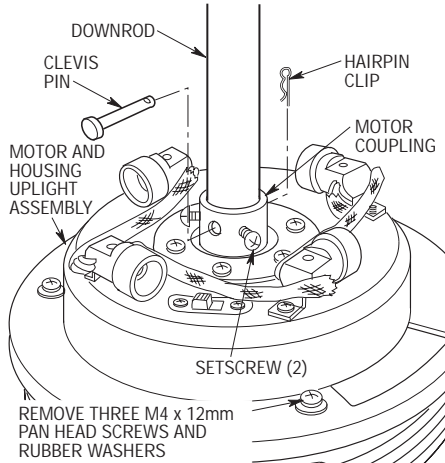
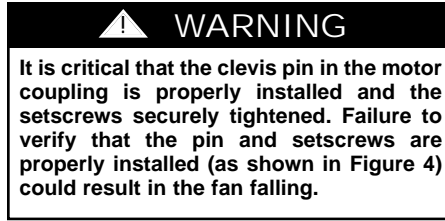


Figure 4

- 6. Tighten the two setscrews (Figure 4) securely while pulling up on the downrod.
- 7. Remove and retain three M4 x 12mm pan head screws and rubber washers from the motor and housing upright assembly (Figure 4).
- 8. Place the upper glass on the motor and housing upright assembly. Line up the three holes in the upper glass with the three threaded holes in the motor and housing upright assembly (Figure 5). Install an M4 x 12mm pan head screw and rubber washer in each of the holes (Screws and rubber washers were removed in step 7).

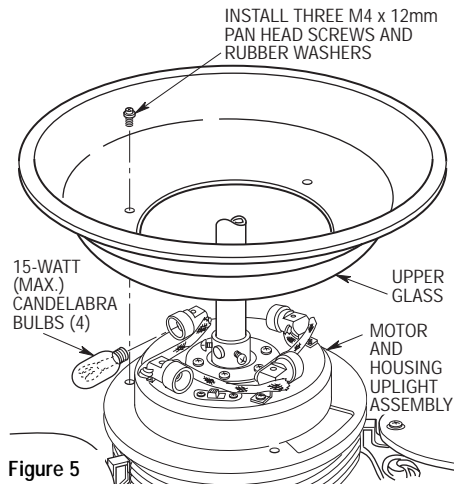


Figure 5

- 9. Screw in four 15-watt (maximum) candelabra bulbs (not supplied) in the motor and housing upright assembly sockets (Figure 5).
- 10. Place the ceiling canopy over the downrod. Then reinstall the hanger ball (Figure 6) on the downrod as follows. Route the three 80" motor leads through the hanger ball and slide the hanger ball over the downrod. Position the pin through the two holes in the downrod and align the hanger ball so the pin is captured in the groove in the top of the hanger ball. Pull the hanger ball up tight against the pin and securely tighten the setscrew in the hanger ball. A loose setscrew could create fan wobble.

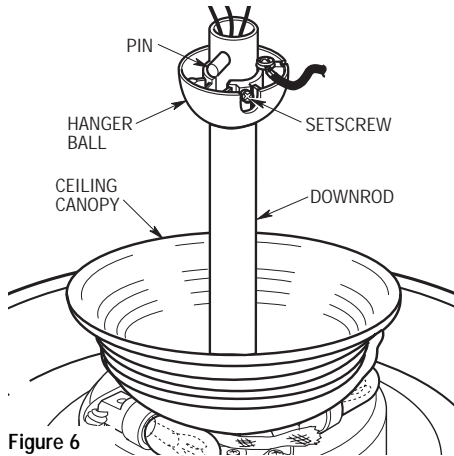


Figure 6

- 11. The fan comes with blue, black and white leads that are 80" long. Before installing the fan, measure up approximately 6 to 9-inches above top of hanger ball/downrod assembly. Cut off excess leads and strip back insulation 1/2" from end of leads.
- 12. You have now completed the initial assembly of your new ceiling fan. You can now proceed with hanging and wiring your fan.

## How to Hang Your Ceiling Fan

### ⚠ WARNING

The fan must be hung with at least 7' of clearance from floor to blades (Figure 7).

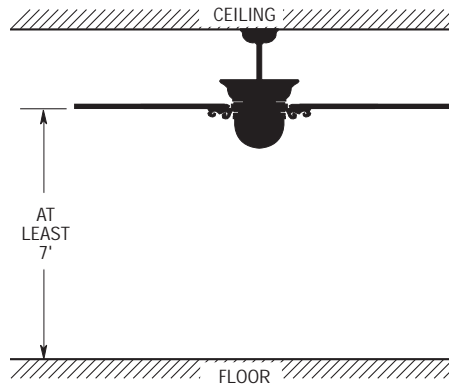


Figure 7

### ⚠ WARNING

The outlet box and joist must be securely mounted and capable of supporting at least 50 lbs. Use only a U.L. outlet box listed as "Acceptable for Fan Support".

**⚠ WARNING**

To reduce the risk of fire, electric shock, or personal injury, mount fan to outlet box marked "Acceptable for Fan Support", and use screws supplied with outlet box. Most outlet boxes commonly used for support of light fixtures are not acceptable for fan support and may need to be replaced. Consult a qualified electrician if in doubt.

- 1. Securely attach the hanger bracket to the outlet box using the two screws supplied with the outlet box (Figure 8).

**⚠ WARNING**

Hanger bracket must seat firmly against outlet box. If the outlet box is recessed, remove wall board until bracket contacts box. If bracket and/or outlet box are not securely attached, the fan could wobble or fall.

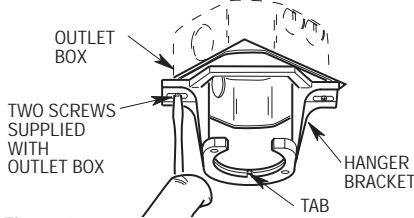


Figure 8

- 2. Carefully lift the fan and seat the hanger ball/downrod assembly on the hanger bracket that was just attached to the outlet box (Figure 9). Be sure the groove in the ball is lined up with the tab on the hanger bracket (Figure 8).

**⚠ WARNING**

Failure to seat tab in groove could cause damage to electrical wires and possible shock or fire hazard.

NOTE: CEILING COVER, SUPPLY WIRES AND FAN WIRES OMITTED FOR CLARITY.

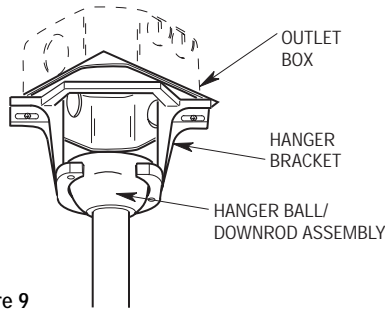


Figure 9

**⚠ WARNING**

To avoid possible fire or shock, do not pinch wires between the hanger ball/downrod assembly and hanger bracket.

## How to Wire Your Ceiling Fan

If you feel that you do not have enough electrical wiring knowledge or experience, have your fan installed by a licensed electrician.

**⚠ WARNING**

Turning off wall switch is not sufficient. To avoid possible electrical shock, be sure electricity is turned off at the main fuse box before wiring. All wiring must be in accordance with National and Local codes and the ceiling fan must be properly grounded as a precaution against possible electrical shock.

**CAUTION:** To reduce the risk of electrical shock, disconnect the electrical supply circuit before installing the fan, light kit or receiver.

- 1. Position the supply wires to the left side of the outlet box (Figure 10); position the fan wires to the right side. Partially insert the remote control receiver (flat side up) until one end rests on the hanger ball as shown in Figure 10.
    - c. Securely connect the supply black wire (hot) wire to the receiver black (AC IN L) wire.
    - d. Securely connect the fan motor white wire to the receiver white (TO MOTOR N) wire.
    - e. Securely connect the fan motor black wire to the receiver red (TO MOTOR L) wire.
    - f. Securely connect the fan motor blue wire to the receiver blue (FOR LIGHT) wire.
- NOTE: Make all wiring connections using wire connectors (supplied). Make sure that all connections are tight, including ground, and that no bare wire is visible at the wire connectors, except for the ground wire.**
- 2. Refer to Figures 10 and 11 and connect the receiver wires to the supply wires and the fan motor wires as follows:
    - a. Securely connect the green grounding wires from the hanger ball and the hanger bracket to the supply grounding conductor (this may be a bare wire or a wire with green insulation).
    - b. Securely connect the supply white (neutral) wire to the receiver white (AC IN N) wire.

**WARNING**

**Check to see that all connections are tight, including ground, and that no bare wire is visible at the wire connectors, except for the ground wire. Do not operate fan until blades are in place. Noise and fan damage could result.**

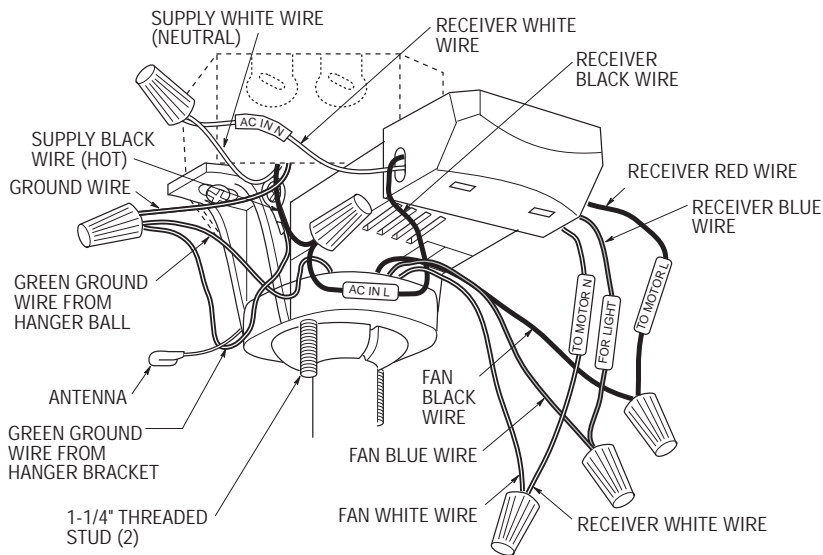


Figure 10

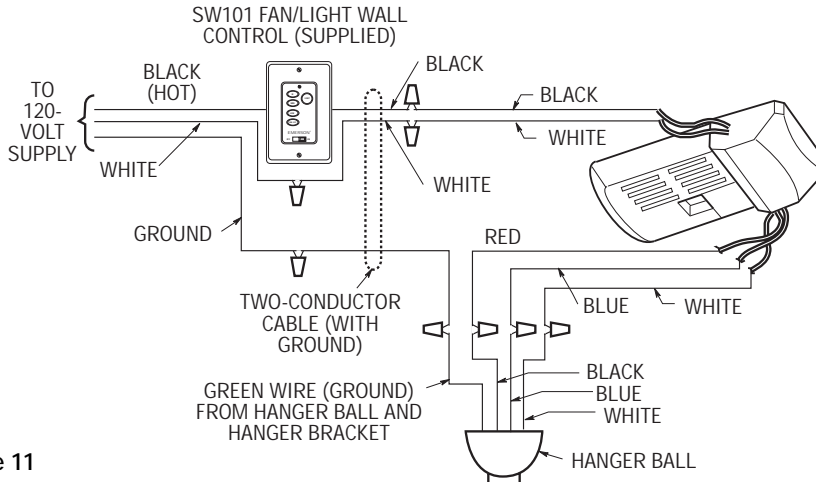


Figure 11

- 3. Push the wires and connectors up into the outlet box while inserting the receiver fully into the hanger bracket. Position the antenna wire on top of the receiver.
- 4. Screw the two 1-1/4" threaded studs (supplied) into the tapped holes in the hanger bracket (Figure 10).
- 5. Lift the ceiling canopy up to the threaded studs and turn until the studs protrude through the holes in the ceiling canopy (Figure 12).
- 6. Secure the ceiling canopy in place by sliding lockwashers (supplied) over the threaded studs and installing the two knurled knobs (supplied) (Figure 12). Tighten the knurled knobs securely until the ceiling canopy fits snugly against the ceiling.

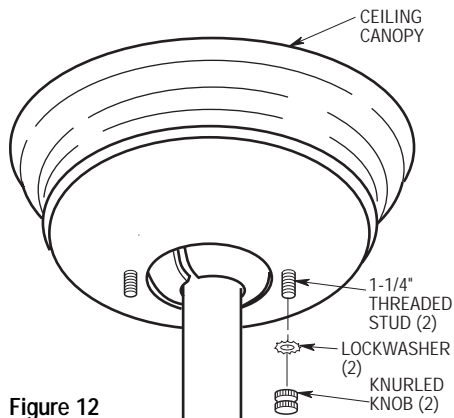


Figure 12

**⚠ WARNING**

**To avoid possible fire or shock, make sure that the electrical wires are completely inside the outlet box and not pinched between the ceiling canopy and the ceiling.**

- 7. Engage the connectors of the downlight fitter assembly with the connectors of the motor assembly (black to blue; white to white) (Figure 13).
- 8. Remove and retain one of the three M4 x 8mm oval head screws and lockwashers from the fitter adapter plate. Loosen the remaining two screws and lockwashers.

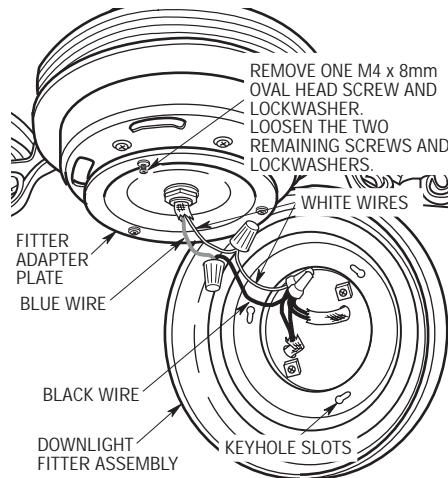


Figure 13

- 9. Position the downlight fitter assembly on the light fitter adapter plate so that the two screws and lockwashers mate with the keyhole slots in the downlight fitter assembly. Make sure that all wires and wire connectors are positioned within the downlight fitter assembly. Rotate the downlight fitter assembly clockwise and tighten the two screws. Install the other M4 x 8mm oval head screw and lockwasher in the remaining hole in the downlight fitter assembly.

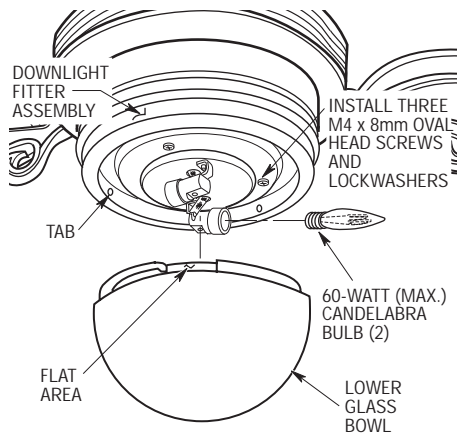


Figure 14

- 10. Screw in two 60-watt (maximum) candelabra bulbs (not supplied) in the light fitter sockets (Figure 14).
- 11. Place the lower glass bowl into the downlight fitter, aligning the three flat areas on the glass bowl flange with the three tabs on the downlight fitter (Figure 14). Then turn the lower glass bowl clockwise until the glass bowl stops turning.
- 12. Your ceiling fan is now installed and wired to be controlled by your SW101 Fan/Light Wall Control.

## Operating Your Ceiling Fan

### IMPORTANT

**Fan installation must be completed, including the installation of the fan blades, before testing of the remote control.**

Your Fan/Light Wall Control (Figure 15) has full control of your fan and lights. However, airflow direction is controlled by a slide switch on the switch housing.

- 1. Restore electrical power to the outlet box by turning the electricity on at the service panel.

**NOTE: Make sure that the ON/OFF slide switch on the Fan/Light Wall Control is in the ON position.**

- 2. To set the desired fan speed, press the HI, MED, or LOW buttons to operate your fan on high, medium, or low speed (Figure 15).
- 3. To turn your fan off, press the OFF button.
- 4. To set the level of light brightness, press and hold the LIGHT button. The light brightness will continue to increase then decrease while the button is held down. When the lights are at the desired brightness, release the button.
- 5. To turn the lights on and off, press and release the LIGHT button. The lights will turn on at the light level previously set (see step 4).
- 6. If airflow is desired in the opposite direction, turn the fan off and wait for the blades to stop turning. Then slide the reversing switch (on the motor and housing upright assembly) to the opposite position (Figure 16) and turn the fan on again. The blades will turn in the opposite direction and reverse the airflow.

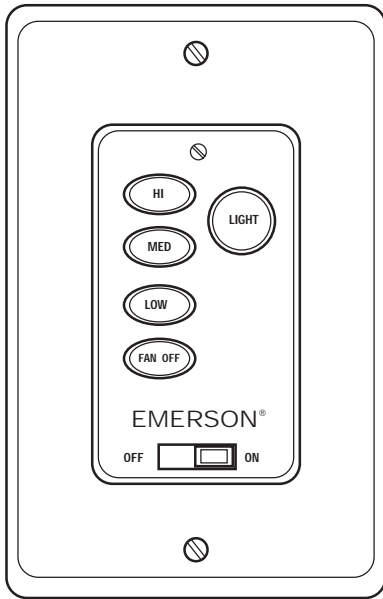


Figure 15

## Maintenance

### IMPORTANT CARE INSTRUCTIONS for your Ceiling Fan

Periodic cleaning of your new ceiling fan is the only maintenance that is needed.

When cleaning, use only a soft brush or lint free cloth to avoid scratching the finish.

Abrasive cleaning agents are not required and should be avoided to prevent damage to finish.

#### ⚠ WARNING

**Do not use water when cleaning your ceiling fan. It could damage the motor or the blades and create the possibility of an electrical shock.**

## Accessories

- 1. Downrod Extension Kits (see store or catalog).
- 2. Ceiling Fan Controls (see store or catalog).

#### ⚠ WARNING

**The use of any other control not specifically approved for this fan could result in fire, shock and personal injury.**

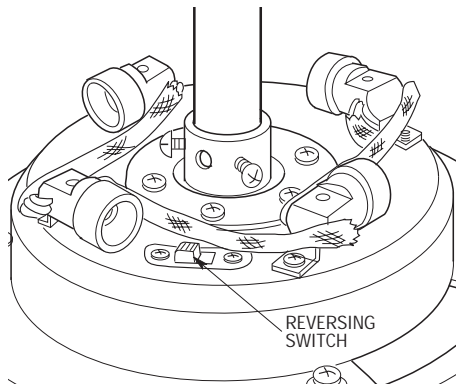


Figure 16

#### ⚠ WARNING

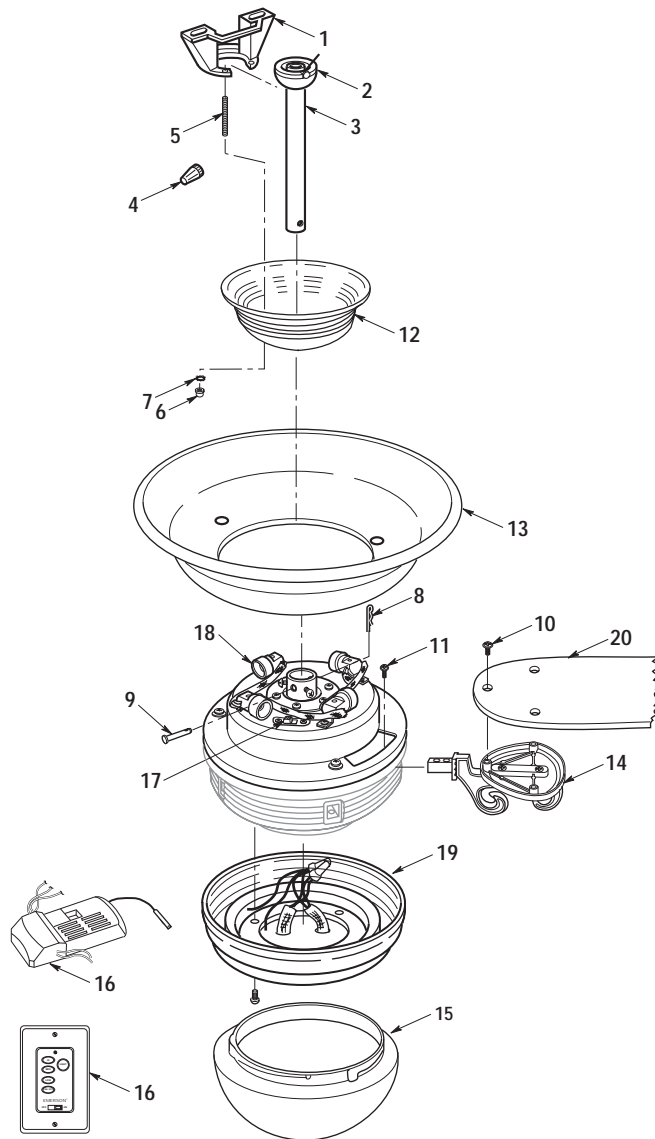
**This product is designed to use only those parts supplied with this product and/or any accessories designated specifically for use with this product by Emerson Electric Co. Substitution of parts or accessories not designated for use with this product by Emerson Electric Co. could result in personal injury or property damage.**

**▲ WARNING: FOR YOUR OWN SAFETY TURN OFF POWER AT FUSE BOX OR CIRCUIT BREAKER BEFORE TROUBLE SHOOTING YOUR FAN.**

### Trouble Shooting

TROUBLE	PROBABLE CAUSE	SUGGESTED REMEDY
<b>1. Fan will not start.</b>	<ol style="list-style-type: none"> <li>1. Fuse or circuit breaker blown.</li> <li>2. Loose power line connections to the fan.</li> <li>3. Fan/Light Wall Control is OFF.</li> <li>4. Code switches in remote control receiver and Fan/Light Wall Control are not set in the same position.</li> </ol>	<ol style="list-style-type: none"> <li>1. Check main and branch circuit fuses or circuit breakers. <b>▲ WARNING: Make sure main power is turned off.</b></li> <li>2. Check line power connections to fan.</li> <li>3. Turn ON Fan/Light Wall Control.</li> <li>4. Check that both code switches are set in the same positions.</li> </ol>
<b>2. Fan sounds noisy.</b>	<ol style="list-style-type: none"> <li>1. Blades not attached to fan.</li> <li>2. Screws securing fan blade flanges to motor are loose.</li> <li>3. Screws holding blades to flanges are loose.</li> <li>4. Loose screws in motor housing.</li> </ol>	<ol style="list-style-type: none"> <li>1. Attach blades to fan before operating.</li> <li>2. Check to make sure the screws which attach the blade flanges to the motor are tight.</li> <li>3. Tighten screws securely.</li> <li>4. Check to make sure all screws in motor housing are snug (not over-tight) <b>▲ WARNING: Make sure main power is turned off.</b></li> </ol>
<b>3. Fan wobbles excessively.</b>	<ol style="list-style-type: none"> <li>1. Setscrews in motor coupling are not tightened securely.</li> <li>2. Setscrew in the hanger ball/downrod assembly is loose.</li> <li>3. Screws securing fan blade flanges to motor are loose.</li> <li>4. Fan blade flanges not seated properly.</li> <li>5. Hanger bracket and/or ceiling outlet box is not securely fastened.</li> <li>6. Fan blades out of balance.</li> </ol>	<ol style="list-style-type: none"> <li>1. Tighten setscrews securely.</li> <li>2. Tighten the setscrew in the hanger ball/downrod assembly.</li> <li>3. Check to be sure screws which attach the fan blade flanges to the motor are tight.</li> <li>4. Check to be sure that the screws securing the fan blade flanges seat firmly.</li> <li>5. Tighten the hanger bracket screws to the outlet box, and/or secure outlet box.</li> <li>6. Interchanging an adjacent (side by-side) blade pair can redistribute the weight and result in smoother operation. Or use supplied balancing kit to balance blades.</li> </ol>

## Repair Parts



**Before discarding packaging material, be certain all parts have been removed.**

### HOW TO ORDER REPAIR PARTS

WHEN ORDERING REPAIR PARTS, ALWAYS GIVE THE FOLLOWING INFORMATION:

- PART NUMBER
- NAME OF ITEM
- PART DESCRIPTION
- MODEL NUMBER

The model number of your Fan will be found on a label attached to the top housing. For repair parts, phone 1-800-654-3545.

## Repair Parts Listing

Key No.	Description	Part Numbers		
		Model No. CF720ORB00	Model No. CF720PW00	Model No. CF720WB00
*	Hanger Pack, Consisting of:	761655-50	761655-59	761655-48
1	Hanger Bracket	—	—	—
2	Hanger Ball	—	—	—
3	Downrod	—	—	—
*	Parts Bag, Containing:	763083	763083	763083
4	Wire Connector (3)	—	—	—
5	Threaded Stud, 1-1/4" (2)	—	—	—
6	Knurled Knob, 8-32 (2)	—	—	—
7	Lockwasher, #8 (2)	—	—	—
8	Hairpin Clip	—	—	—
9	Clevis Pin	—	—	—
10	Screw, Slotted Phillips Washer Head, M5 x 6mm (16)	—	—	—
11	Screw, Oval Head, M5 x 16mm (11)	—	—	—
12	Ceiling Canopy	763070-ORB	763070-PW	763070-WB
13	Upper Glass	763071	763071-1	763071
14	Flange Assembly (set of 5)	763080-ORB	763080-PW	763080-WB
15	Lower Glass	763073	763073-1	763073
16	Wall Control SW101	—	—	—
17	Harness	763084	763084	763084
18	Housing Uplight Assembly	763072-ORB	763072-PW	763072-WB
19	Housing Downlight Assembly	763074-ORB	763074-PW	763074-WB
20	Blade Assembly (set of 5)	763082-1	763082-2	763082
—	Owner's Manual	BP7309-1	BP7309-1	BP7309-1

## LIMITED WARRANTY

### What The Warranty Covers:

This warranty covers the motor and the other components and accessories of your Emerson ceiling fan against all defects in workmanship and materials. You must be the original purchaser or user of the product to be covered.

### What The Period Of Coverage Is:

As it applies to the motor, this warranty will last for a lifetime of your ceiling fan. All other components and accessories are covered by this warranty for one year from the date you purchased your ceiling fan. ANY IMPLIED WARRANTY OF MERCHANTABILITY OR FITNESS FOR A PARTICULAR PURPOSE, MADE WITH RESPECT TO COMPONENTS AND ACCESSORIES IS ALSO LIMITED TO ONE YEAR.

### What Will Emerson Electric Co. Do To Correct Problems:

Emerson Electric Co. will replace a defective Emerson Air Comfort Ceiling Fan motor, blade, component or other accessory at no charge to you. If repair of the motor or blades is not practical or possible within a reasonable time and no replacement can be provided, Emerson will refund the actual purchase price of your fan. **WE WILL SHIP THE REPAIRED PRODUCT OR REPLACEMENT TO YOU AT NO CHARGE, BUT YOU ARE RESPONSIBLE FOR ALL COSTS OR REMOVAL, REINSTALLATION AND SHIPPING OF THE PRODUCT TO EMERSON ELECTRIC CO.**

### How Can You Get Service:

YOU MUST HAVE PROOF OF YOUR PURCHASE OF THE CEILING FAN TO OBTAIN LIMITED WARRANTY SERVICE. KEEP YOUR RECEIPT OR OTHER PROOF OF PURCHASE. You can return the product to our factory or to your nearest authorized service center.

- To return the product to the factory, obtain a return authorization and service identification tag by writing to Air Comfort Products, Division of Emerson Electric Co., 8100 W. Florissant Ave., St. Louis, MO 63136. Include all model numbers shown on the product with your request.
- To return the product to an authorized service center, call 1-800-654-3545 for the address of the nearest authorized service center.

You will be responsible for all insurance, freight or other transportation charges to our factory or authorized service center. Your Emerson Air Comfort Ceiling Fan should be properly packed to avoid damage in transit since we will not be responsible for any such damage.

### What Is Not Covered:

The glass globes and light bulbs of your ceiling fan are not covered by this warranty. This warranty also does not cover any defects, malfunctions or failures caused by:

- Repairs by persons not authorized by Emerson Electric Co.,
- Use of parts or accessories not authorized by Emerson Electric Co.,
- Mishandling, improper installation, modifications or damage to your ceiling fan while in your possession, or
- Unreasonable use, misuse, abuse, including failing to do reasonable and necessary maintenance, and normal wear and tear.

Additionally, this warranty and any implied warranty of merchantability or fitness for a particular purpose are voided when:

- The original purchaser or user ceases to own the product, or
- The fan is moved from its original point of installation.

This warranty is only valid within the 50 states of the United States and the District of Columbia. No other written or oral warranties apply, and no employee, agent, dealer or other person is authorized to give any warranties on behalf of Emerson Electric Co.

REPAIR, REPLACEMENT OR A REFUND ARE THE EXCLUSIVE REMEDIES AVAILABLE UNDER THIS WARRANTY AND EMERSON IS NOT RESPONSIBLE FOR DAMAGES OF ANY KIND, INCLUDING INCIDENTAL AND CONSEQUENTIAL DAMAGES. Incidental damages include but are not limited to such damages as loss of time and loss of use. Consequential damages include but are not limited to the cost of repairing or replacing other property which was damaged if this product does not work properly.

### How State Law Relates To The Warranty:

Some states do not allow the exclusion or limitation of incidental or consequential damages so the above exclusion or limitation may not apply to you. This warranty gives you specific legal rights, and you may also have other rights which vary from state to state.



**EMERSON**

**Air Comfort Products**

**DIVISION OF EMERSON ELECTRIC CO.**

**8100 W. Florissant • St. Louis, MO 63136**

Form No. BP7309-1

Part No. F40BP73090001

Printed in China 08/06