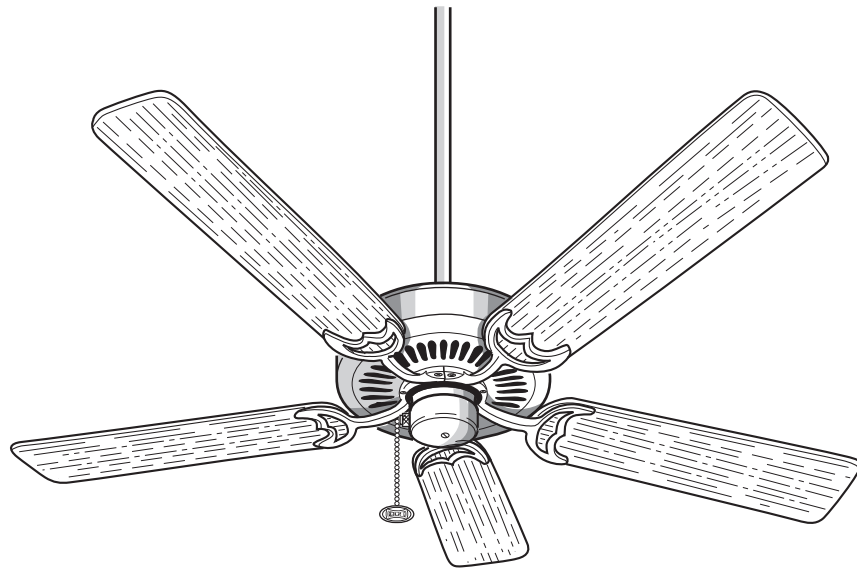


READ AND SAVE THESE INSTRUCTIONS



"APOLLO" Series Model No.

CF3900AB01

CF3900BS01

CF3900OB01

CF3900AGW01

CF3900BQ01

CF3900ORB01

CF3900AW01

CF3900CK01

CF3900PB01

CF3900BC01

CF3900HTW01

CF3900WW01

Net Weight: 18.0 Lbs.



EMERSON™

"APOLLO" Series Ceiling Fan Owner's Manual

LIMITED WARRANTY

What The Warranty Covers:

This warranty covers the motor and the other components and accessories of your Emerson ceiling fan against all defects in workmanship and materials. You must be the original purchaser or user of the product to be covered.

What The Period Of Coverage Is:

As it applies to the motor, this warranty will last for the lifetime from the date you purchased your ceiling fan. All other components and accessories are covered by this warranty for one year from the date you purchased your ceiling fan. ANY IMPLIED WARRANTY OF MERCHANTABILITY OR FITNESS FOR A PARTICULAR PURPOSE, MADE WITH RESPECT TO COMPONENTS AND ACCESSORIES IS ALSO LIMITED TO ONE YEAR.

What Will Emerson Electric Co. Do To Correct Problems:

Emerson Electric Co. will replace a defective Emerson Air Comfort Ceiling Fan motor, blade, component or other accessory at no charge to you. If repair of the motor or blades is not practical or possible within a reasonable time and no replacement can be provided, Emerson will refund the actual purchase price of your fan. **WE WILL SHIP THE REPAIRED PRODUCT OR REPLACEMENT TO YOU AT NO CHARGE, BUT YOU ARE RESPONSIBLE FOR ALL COSTS OF REMOVAL, REINSTALLATION AND SHIPPING OF THE PRODUCT TO EMERSON ELECTRIC CO.**

How Can You Get Service:

YOU MUST HAVE PROOF OF YOUR PURCHASE OF THE CEILING FAN TO OBTAIN LIMITED WARRANTY SERVICE. KEEP YOUR RECEIPT OR OTHER PROOF OF PURCHASE. You can return the product to our factory or to your nearest authorized service center.

- To return the product to the factory, obtain a return authorization and service identification tag by writing to Air Comfort Products, Division of Emerson Electric Co., 8100 W. Florissant Ave., St. Louis, MO 63136. Include all model numbers shown on the product with your request.
- To return the product to an authorized service center, call 1-800-654-3545 for the address of the nearest authorized service center.

You will be responsible for all insurance, freight or other transportation charges to our factory or authorized service center. Your Emerson Air Comfort Ceiling Fan should be properly packed to avoid damage in transit since we will not be responsible for any such damage.

What Is Not Covered:

The glass globes and light bulbs of your ceiling fan are not covered by this warranty. This warranty also does not cover any defects, malfunctions or failures caused by:

- Repairs by persons not authorized by Emerson Electric Co.,
- Use of parts or accessories not authorized by Emerson Electric Co.,
- Mishandling, improper installation, modifications or damage to your ceiling fan while in your possession, or
- Unreasonable use, misuse, abuse, including failing to do reasonable and necessary maintenance, and normal wear and tear.

Additionally, this warranty and any implied warranty of merchantability or fitness for a particular purpose are voided when:

- The original purchaser or user ceases to own the product, or
- The fan is moved from its original point of installation.

This warranty is only valid within the 50 states of the United States and the District of Columbia. No other written or oral warranties apply, and no employee, agent, dealer or other person is authorized to give any warranties on behalf of Emerson Electric Co.

REPAIR, REPLACEMENT OR A REFUND ARE THE EXCLUSIVE REMEDIES AVAILABLE UNDER THIS WARRANTY AND EMERSON IS NOT RESPONSIBLE FOR DAMAGES OF ANY KIND, INCLUDING INCIDENTAL AND CONSEQUENTIAL DAMAGES. Incidental damages include but are not limited to such damages as loss of time and loss of use. Consequential damages include but are not limited to the cost of repairing or replacing other property which was damaged if this product does not work properly.

How State Law Relates To The Warranty:

Some states do not allow the exclusion or limitation of incidental or consequential damages so the above exclusion or limitation may not apply to you. This warranty gives you specific legal rights, and you may also have other rights which vary from state to state.

 **WARNING**

WARNING: To avoid fire, shock, and serious personal injury, follow these instructions.

Safety Instructions

1. Read your owner's manual carefully and keep it for future reference.
2. Before servicing or cleaning unit, switch power off at service panel and lock service panel disconnecting means to prevent power from being switched on accidentally. When the service disconnecting means cannot be locked, securely fasten a warning device, such as a tag, to the service panel.
3. Be careful of the fan and blades when cleaning, painting, or working near the fan. Always turn off the power to the ceiling fan before servicing.
4. Do not put anything into the fan blades while they are turning.
5. Do not operate reversing switch until fan blades have come to a complete stop.

Additional Safety Instructions for Installation

1. To avoid possible shock, be sure electricity is turned off at the fuse box before wiring, and do not operate fan without blades.
2. All wiring must be in accordance with the National Electrical Codes "ANSI/NFPA 70-1999" and Local Electrical Codes. Use the National Electrical Code if Local Codes do not exist. The ceiling fan must be grounded as a precaution against possible electrical shock. Electrical installation should be made or approved by a licensed electrician.
3. The outlet box and joist must be securely mounted and capable of reliably supporting at least 50 pounds. Use only U.L. outlet boxes listed as "Acceptable for Fan Support", and use the mounting screws provided with the outlet box. Most outlet boxes commonly used for support of light fixtures are not acceptable for fan support and may need to be replaced. Consult a qualified electrician if in doubt.
4. The downrod furnished with the fan proves the minimum recommended floor to fan blade clearance for an 8 foot ceiling.
5. The fan must be mounted with the fan blades at least 7 feet from the floor to prevent accidental contact with the fan blades.
6. Follow the recommended instructions for the proper method of wiring your ceiling fan. If you do not know enough about electrical wiring, have your fan installed by a licensed electrician.

WARNING: To avoid fire, shock or injury, do not use an Emerson or any other brand of control not specifically approved for this fan.

WARNING: This product is designed to use only those parts supplied with this product and/or any accessories designated specifically for use with this product by Emerson Electric Co. Substitution of parts or accessories not designated for use with this product by Emerson Electric Co. could result in personal injury or property damage.

WARNING: To Reduce the risk of personal injury, do not bend the blade flange when installing the blade flanges, balancing the blades or cleaning the fan. Do not insert foreign objects in between rotating fan blades.

This Manual Is Designed to Make it as Easy as Possible for You to Assemble, Install, Operate and Maintain Your Ceiling Fan

Tools Needed for Assembly

One Phillips head screwdriver One stepladder
 Three wire connectors (supplied.) One wire stripper

MATERIALS

Wiring outlet box and box connectors must be of type required by the local code. The minimum wire would be a 3-conductor (2-wire with ground) of the following size:

Installed Wire Length	Wire Size A.W.G.
Up to 50 ft.	14
50-100 ft.	12

▲ WARNING

Before assembly your ceiling fan, refer to section on proper method of wiring your fan (page 8). If you feel you do not have enough wiring knowledge or experience, have your fan installed by a licensed electrician.

Unpacking and Assembly Instructions

For your convenience, check-off boxes are provided next to each step. As each step is completed, place a check mark in the box. This will insure that all steps have been completed and will be helpful in finding your place should you be interrupted.

▲ WARNING

Do not install or use fan if any part is damaged or missing. Call Toll-Free:

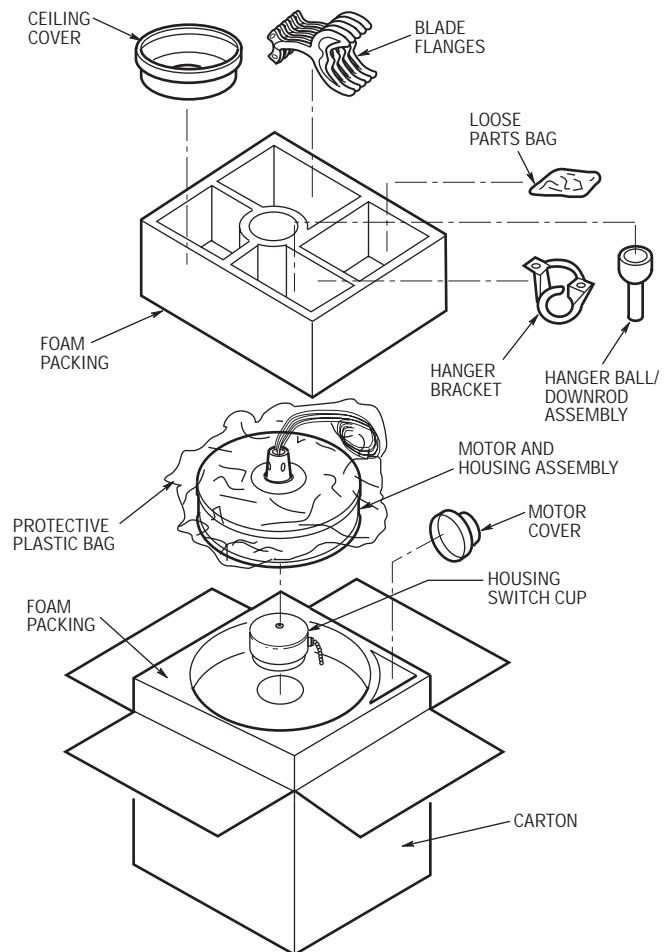
1-800-654-3545

▲ WARNING

This product is designed to use only those parts supplied with this product and/or any accessories designated specifically for use with this product by Emerson Electric Co. Substitution of parts or accessories not designated for use with this product by Emerson Electric Co. could result in personal injury or property damage.

NOTE: Place the parts from the loose parts bags in small containers to keep them from being lost. If any parts are missing, contact your local retailer or catalog outlet for replacement before proceeding.

NOTE: Fan blades are ordered separately and are packaged in a separate carton.



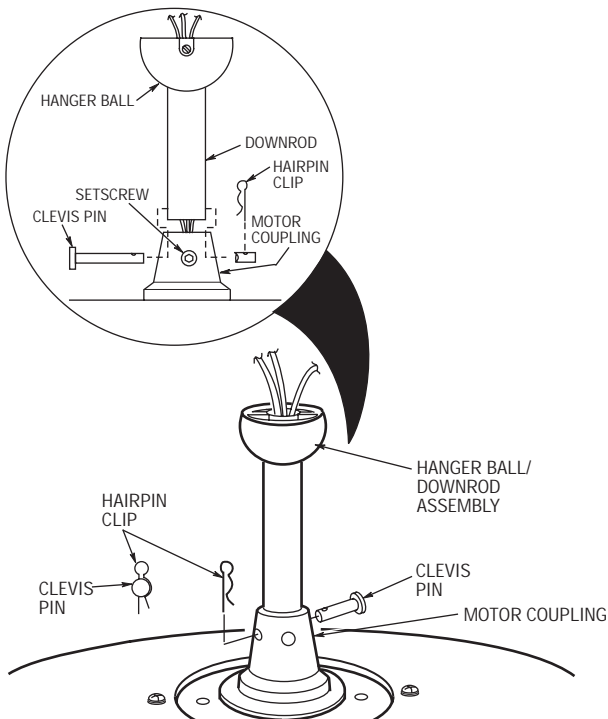
1. Open styrofoam unit containing fan. Remove top half of styrofoam unit. Remove parts and check to see that you have received the following:
 - a. Fan motor and housing assembly
 - b. One motor cover
 - c. One ceiling cover
 - d. Five blade flanges
 - e. One hanger ball/downrod assembly
 - f. One hanger bracket
 - g. One housing switch cup
 - h. One loose parts bag containing:
 1. One setscrew
 2. One 3/16" hex wrench
 3. Eleven 10-32 x 5/8" oval head screws
 4. Two 1" threaded studs
 5. Two 1-1/4" threaded studs
 6. Four knurled knobs
 7. Three wire connectors
 8. Four 8-32 x 5/16" flat head screws
 9. One pull chain pendant
 10. One pull chain coupling
 11. One hairpin clip
 12. One clevis pin
 13. Four lockwashers
 14. Sixteen 10-32 x 3/8" pan head screws
 15. Sixteen flat washers

Assembly Instructions

1. Remove the fan motor and housing assembly from styrofoam packaging and position it so that the top of the motor is facing you.
2. Separate, untwist and unkink the three motor leads. Route the motor leads through the hanger ball/downrod assembly and seat the downrod in the motor coupling.
3. Align the clevis pin holes in the downrod with the holes in the motor coupling. Install the clevis pin and secure with the hairpin clip. The clevis pin must go through the holes in the motor coupling and the holes in the downrod. Push the straight leg of the hairpin clip through the hole near the end of the clevis pin until the curved portion of the hairpin clip snaps around the clevis pin. The hairpin clip must be properly installed to prevent the clevis pin from working loose. Pull on the hanger ball to make sure the clevis pin is properly installed.

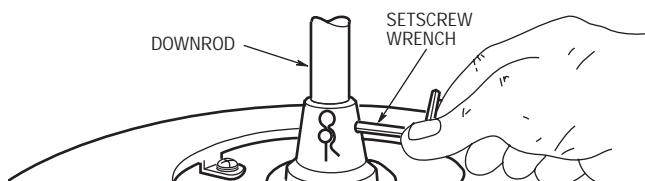
⚠ WARNING

It is critical that the clevis pin in the motor coupling is properly installed and the setscrew securely tightened. Failure to verify that the pin and setscrew are properly installed could result in the fan falling.

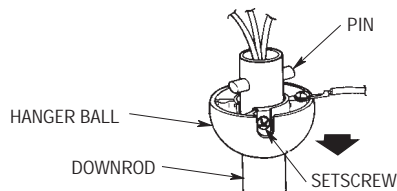


4. Install the setscrew (supplied in loose parts bag) in the motor coupling. While pulling up on the hanger ball, tighten the setscrew using the 5/32" setscrew wrench (supplied).

NOTE: The setscrew must be properly installed as described above, or fan wobble could result.

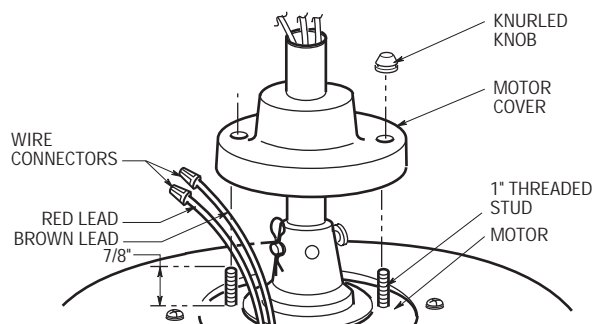


5. Remove the hanger ball by loosening the setscrew in the hanger ball until the ball falls freely down the downrod. Remove the pin from the downrod, then remove the hanger ball. Retain the pin and hanger ball for reinstallation in step 8.



6. Screw two 1" threaded studs (provided) into the motor. Leave approximately 7/8" of the stud extending above motor. Slide the motor cover over the downrod and rotate the cover until the threaded studs protrude; install two knurled knobs (supplied) to secure the cover.

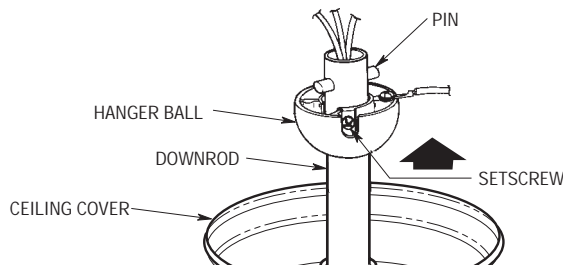
NOTE: Make sure the red and brown leads are capped with wire connectors and are completely inside motor cover and not pinched between the motor cover and motor.



7. Position the ceiling cover over the downrod. Be sure the cover is oriented correctly, with the large opening at the top.
8. Reinstall the hanger ball on the downrod as follows. Route the motor leads through the hanger ball and slide the hanger ball over the downrod. Install the pin through the holes at the top of the downrod and slide the hanger ball up the downrod, aligning the ball so the pin is captured in the groove in the top of the hanger ball. Pull the hanger ball up tight against the pin and securely tighten the setscrew in the hanger ball. A loose setscrew could create fan wobble.

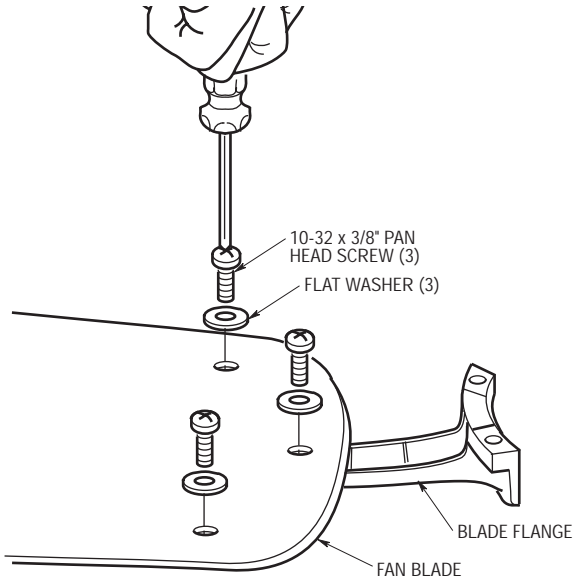
⚠ WARNING

It is critical that the pin in the hanger ball is properly installed and the setscrew securely tightened. Failure to verify that the pin and setscrew are properly installed could result in the fan falling.



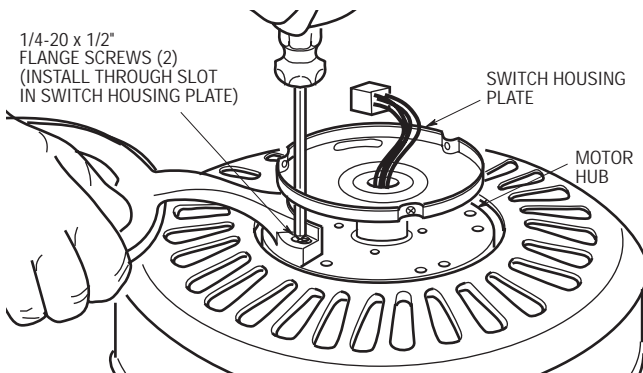
9. The fan comes with blue, black and white leads that are 80-inches long. Before installing fan, measure up approximately 6 to 9-inches above the ball/downrod assembly. Cut off excess leads and strip back insulation 1/2-inch from end of leads.

10. Use three 10-32 x 3/8" pan head screws and flat washers (supplied) to secure flange to blade, as shown below. Repeat for the remaining four blades.



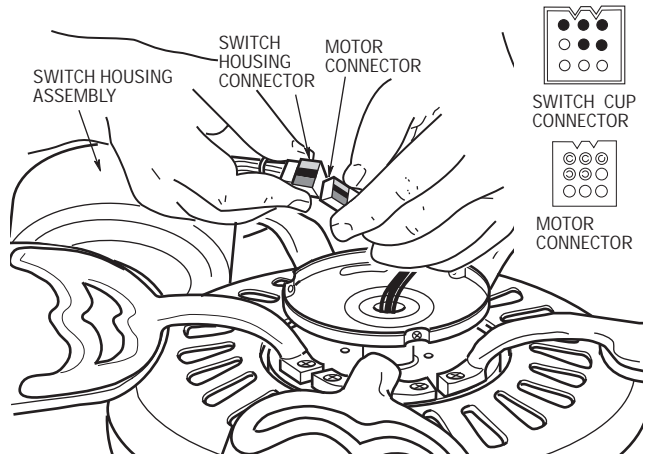
11. Use the 10 round recessed holes in the motor hub marked with "5" and install the five blade assemblies (ordered separately) in accordance with Step 12.

12. Attach one blade assembly to the motor hub using two 10-32 x 5/8" oval head screws (supplied). Do not tighten completely at this time. Install remaining blade assemblies in the same way. Gently snug all flange screws to the motor hub, working around the hub in a clockwise sequence. Next, securely tighten all flange screws, again working in a clockwise sequence. Failure to follow this procedure could result in fan wobble. This completes the blade installation.



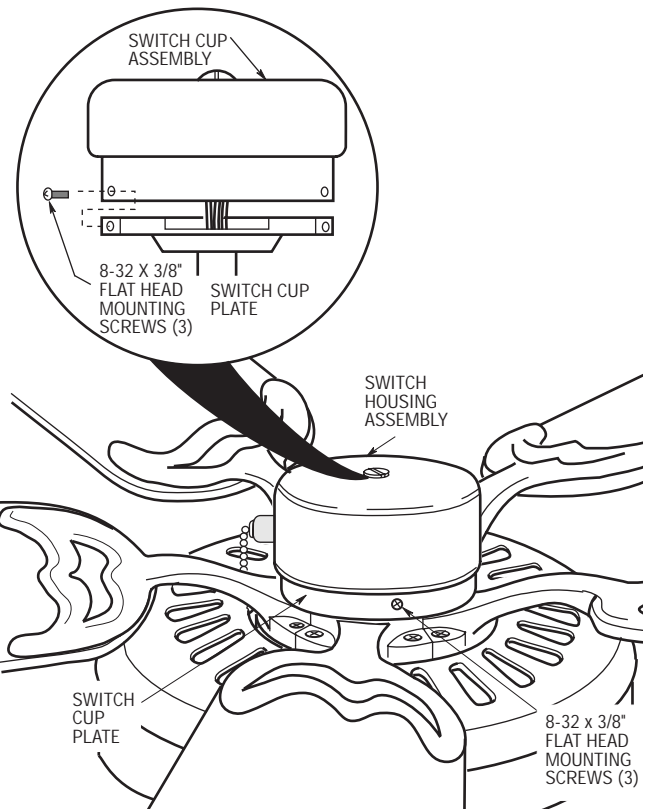
WARNING
To reduce the risk of personal injury, do not bend the blade flanges when installing the blades or cleaning the fan. Do not insert foreign objects between rotating fan blades.

13. Remove the fan motor and housing assembly from the styrofoam packaging. Position the motor so that the bottom of the motor is facing you. Engage the connector of the switch cup assembly with the motor connector by aligning the V-notch shaped keyways and pressing the connectors firmly together until they fully mate. The V-notch keyways prevent the connectors from being engaged improperly.



14. Position the switch cup assembly on the motor switch plate and align the holes in the cup assembly with the holes around the side of the switch cup plate. Secure The switch cup assembly by installing three 8-32 x 3/8" flat head screws (supplied in loose parts bag).

WARNING
To avoid possible fire or shock, do not pinch wires between the switch cup assembly and the switch cup plate.



Electrical Requirements

Your new ceiling fan will require a grounded electrical supply line of 120 volts AC, 60 Hz, 15 amp circuit.

The outlet box must be securely anchored and capable of withstanding a load of at least 50 pounds.

⚠ WARNING

To reduce the risk of fire, electric shock, or personal injury, mount fan to outlet box marked "Acceptable for Fan Support", and use screws supplied with outlet box. Most outlet boxes commonly used for support of light fixtures are not acceptable for fan support and may need to be replaced. Consult a qualified electrician if in doubt.

If your fan is to replace an existing ceiling light fixture, turn electricity off at the main fuse box at this time and remove the existing light fixture.

⚠ WARNING

Turning off wall switch is not sufficient. To avoid possible electrical shock, be sure electricity is turned off at the main fuse box before wiring. All wiring must be in accordance with National and Local codes and the ceiling fan must be properly grounded as a precaution against possible electrical shock.

⚠ WARNING

To avoid fire or shock, follow all wiring instructions carefully. Any electrical work not described in these instructions should be done or approved by a licensed electrician.

How to Hang Your Ceiling Fan

⚠ WARNING

The fan must be hung with at least 7' of clearance from floor to blades (Figure 1).

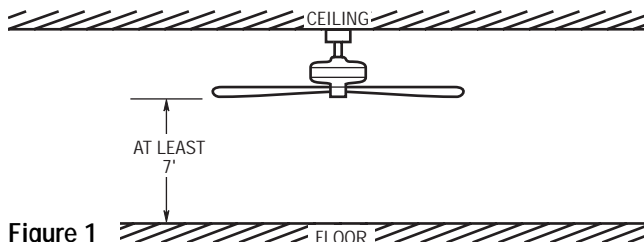


Figure 1

⚠ WARNING

The outlet box and joist must be securely mounted and capable of supporting at least 50 lbs. Use only a U.L. outlet box listed as "Acceptable for Fan Support".

⚠ WARNING

To reduce the risk of fire, electric shock, or personal injury, mount fan to outlet box marked "Acceptable for Fan Support", and use screws supplied with outlet box. Most outlet boxes commonly used for support of light fixtures are not acceptable for fan support and may need to be replaced. Consult a qualified electrician if in doubt.

- Securely attach the hanger bracket to the outlet box using the two screws supplied with the outlet box. (Figure 2).

⚠ WARNING

Hanger bracket must seat firmly against outlet box. If the outlet box is recessed, remove wall board until bracket contacts box. If bracket and/or outlet box are not securely attached, the fan could wobble or fall.

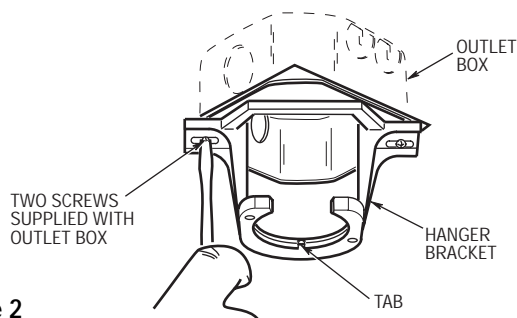


Figure 2

- Carefully lift the fan and seat the hanger ball/downrod assembly on the hanger bracket that was just attached to the outlet box (Figure 3). Be sure the groove in the ball is lined up with tab on the hanger bracket (Figure 2).

⚠ WARNING

Failure to seat tab in groove could cause damage to electrical wires and possible shock or fire hazard.

⚠ WARNING

To avoid possible fire or shock, do not pinch wires between the hanger ball/downrod assembly and hanger bracket.

NOTE: CEILING COVER, SUPPLY WIRES AND FAN WIRES OMITTED FOR CLARITY.

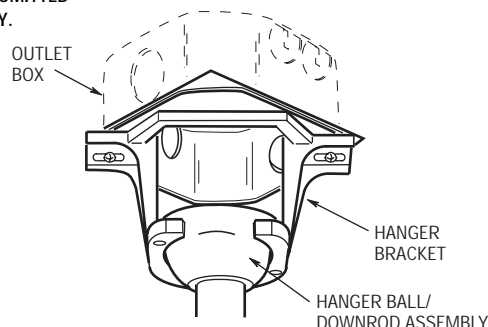


Figure 3

How to Wire Your Ceiling Fan

If you feel that you do not have enough electrical wiring knowledge or experience, have your fan installed by a licensed electrician.

⚠ WARNING

To avoid possible electrical shock, be sure electricity is turned off at the main fuse box before wiring.

NOTE: If you are not sure if the outlet box is grounded, contact a licensed electrician for advice, as it must be grounded for safe operation.

1. Connect the green grounding lead from the hanger ball and the green grounding lead from the hanger bracket to the grounding conductor of supply (this may be a bare wire or wire with green colored insulation). Securely connect wires with wire connector supplied.

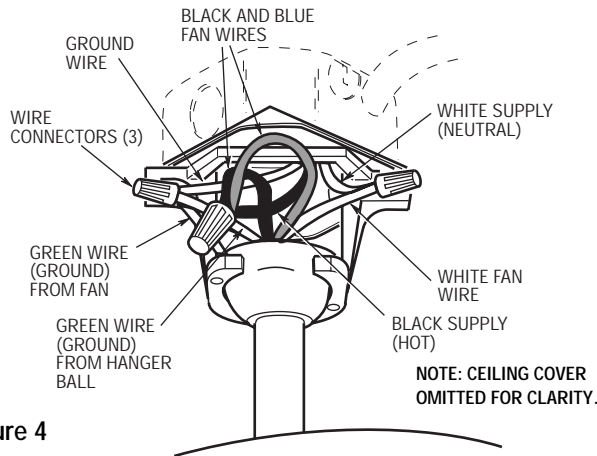


Figure 4

NOTE: If you are using an Emerson Light Fixture with your fan, see Light Fixture Owner's Manual for wiring.

2. Securely connect the fan motor white wire to the supply white (neutral) wire using wire connector supplied (Figure 4). Securely connect the fan motor black wire and blue wire to the supply black (hot) wire using wire connector supplied (Figure 4). After connections have been made, turn leads upward and carefully push leads into the outlet box, with the white and green leads on one side of the outlet box and the black and blue leads on the other side of the outlet box.

⚠ WARNING

Check to see that all connections are tight, including ground, and that no bare wire is visible at the wire connectors, except for the ground wire. Do not operate fan until blades are in place. Noise and fan damage could result.

3. Screw the two 1-1/4" threaded studs (provided) into the tapped holes in the hanger bracket.
4. Lift the ceiling cover up to the threaded studs and turn until studs protrude through the holes in the ceiling cover (Figure 5).

5. Secure the ceiling cover in place by sliding lockwashers over the threaded studs and installing the two knurled knobs (supplied). (Figure 5.) Tighten the knurled knobs securely until the ceiling cover fits snugly against the ceiling and the hole in the ceiling cover is clear of the downrod. Your fan is now wired to be turned on and off from the fan switch.

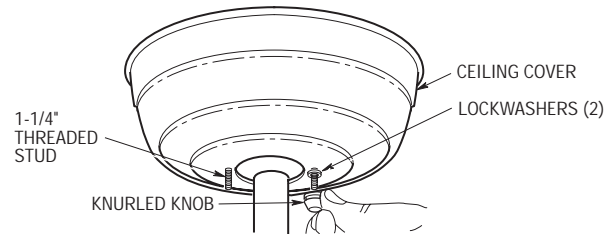


Figure 5

⚠ WARNING

To avoid possible fire or shock, make sure that the electrical wires are completely inside the outlet box and not pinched between the ceiling cover and the ceiling.

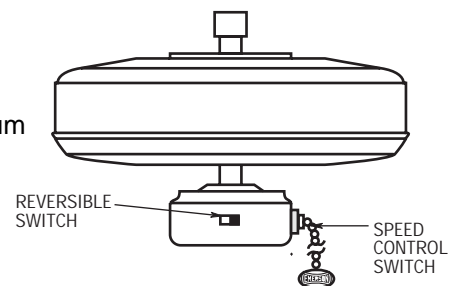
6. Slip the switch pull chain through the hole in the pendant (supplied), then secure the pendant by snapping the coupling (supplied) onto the end of the chain.

Using Your Ceiling Fan

1. Restore electrical power to the outlet box by turning the electricity on at the main fuse box.
2. Check the operation of the fan by gently pulling on the pull chain switch.
3. If airflow is desired in opposite direction, turn your fan off and wait for the blades to stop turning, then slide the reversing switch to opposite position, and turn fan on again. The fan blades will turn in the opposite direction and reverse the airflow.

Your fan model is equipped with a 4-position pull chain switch. The operating sequence is as follows:

THREE-SPEED
 1st Pull—HIGH
 2nd Pull—Medium
 3rd Pull—Low
 4th Pull—OFF



Attaching Light Kit

 **WARNING**

To avoid possible electrical shock, be sure electricity is turned off at the main fuse box before wiring.

To install an accessory light kit, remove the three screws securing the switch cup assembly to the fan, remove the switch cup assembly, and disconnect the connector. Remove the screw plug from the bottom of the switch cup and install the light kit in accordance with the light kit Owner's Manual.

Maintenance

IMPORTANT CARE INSTRUCTIONS for your Ceiling Fan

Periodic cleaning of your new ceiling fan is the only maintenance that is needed.

When cleaning, use only a soft brush or lint free cloth to avoid scratching the finish.

Abrasive cleaning agents are not required and should be avoided to prevent damage to finish.

 **WARNING**

Do not use water when cleaning your ceiling fan. It could damage the motor or the blades and create the possibility of an electrical shock.

Accessories

1. Ceiling Fan Light Kits (see store or catalog).
2. Ceiling Fan/Light Controls (see store or catalog).
3. Downrod Extension Kits (see store or catalog).

 **WARNING**

The use of any other control not specifically approved for this fan could result in fire, shock and personal injury.

 **WARNING**

This product is designed to use only those parts supplied with this product and/or any accessories designated specifically for use with this product by Emerson Electric Co. Substitution of parts or accessories not designated for use with this product by Emerson Electric Co. could result in personal injury or property damage.

Repair Parts

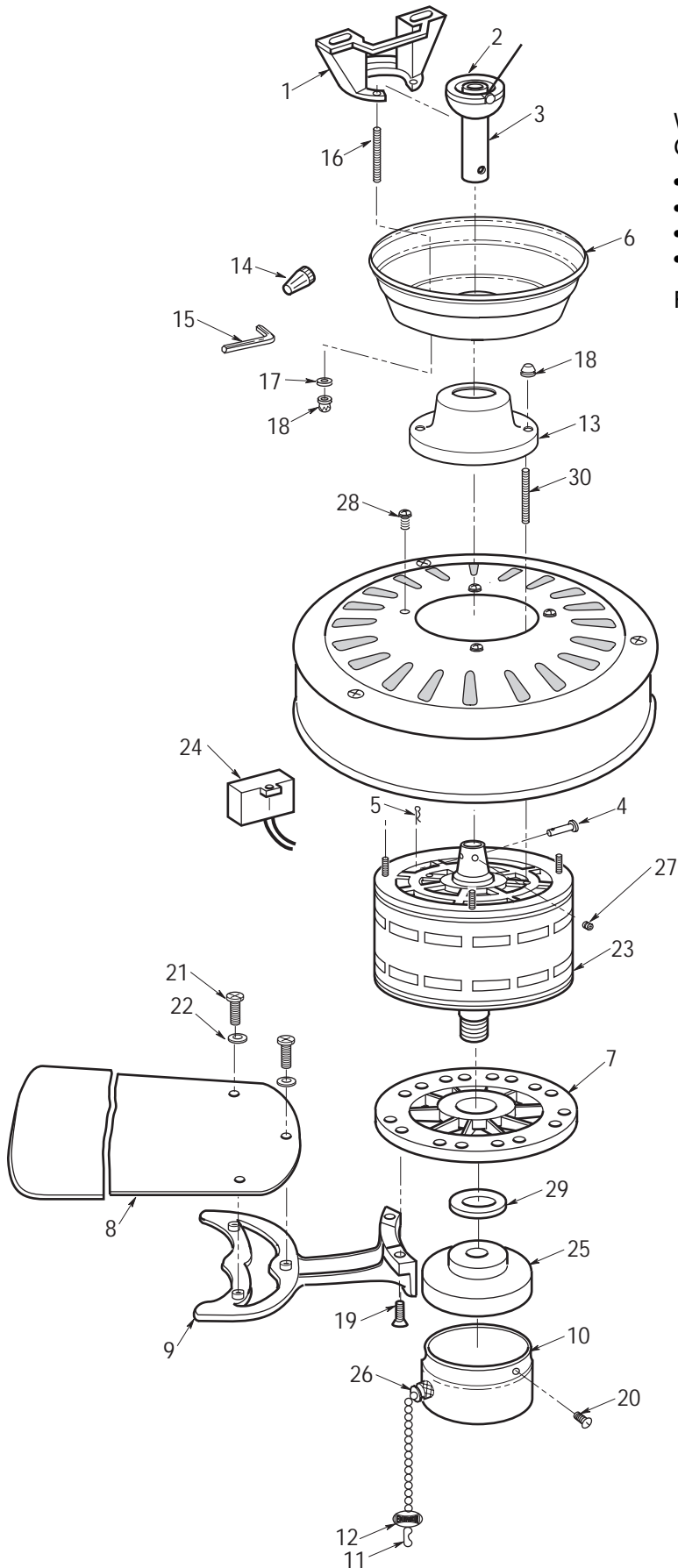
**Before discarding packaging material,
be certain all parts have been removed.**

HOW TO ORDER REPAIR PARTS

WHEN ORDERING REPAIR PARTS, ALWAYS
GIVE THE FOLLOWING INFORMATION:

- NAME OF ITEM
- MODEL NUMBER
- THE PART NUMBER
- THE PART DESCRIPTION

For repair parts, phone 1-800-654-3545.



Repair Parts List

Ref. No.	Description	"APOLLO" Series Models												
		CF3900VW01	CF3900AB01	CF3900ORB01	CF3900OB01	CF3900HTW01	CF3900BS01	CF3900BQ01	CF3900AGW01	CF3900AW01	CF3900CK01	CF3900BC01	CF3900PB01	
	Hanger Pack, containing: Bracket, Hanger (1) Hanger Ball Assembly (1) Downrod (1)	761655	761655-3	761655-32	761655-9	761655-12	761655-17	761655-19	761655-40	761655-21	761655-23	761655-24	761655-2	
1		—	—	—	—	—	—	—	—	—	—	—	—	
2		—	—	—	—	—	—	—	—	—	—	—	—	
3		—	—	—	—	—	—	—	—	—	—	—	—	
6	Cover, Ceiling	761620	761620-3	761620-33	761620-9	761620-12	761620-25	761620-28	761620-35	761620-29	761620-31	761620-32	761620-2	
7	Hub, Rubber	760601	760601	760601	760601	760601	760601	760601	760601	760601	760601	760601	760601	
8	Blade Assembly (Full set for one fan)	*	*	*	*	*	*	*	*	*	*	*	*	
9	Flange Set (Full set for one fan)	761987	761987-2	761987-14	761987-4	761987-5	761987-6	761987-7	761987-15	761987-9	761987-10	761987-11	761987-3	
10	Switch Cup	761980	761980-2	761980-14	761980-4	761980-5	761980-6	761980-7	761980-15	761980-9	761980-10	761980-11	761980-3	
13	Cover, Motor	761621	761621-3	761621-25	761621-9	761621-12	761621-15	761621-19	761621-26	761621-20	761621-22	761621-23	761621-2	
23	Motor	762508	762508	762508	762508	762508	762508	762508	762508	762508	762508	762508	762508	
4	Parts Bag, containing: Pin, Clevis (1)	762020-2	762020-1	762020-1	762020-1	762020-2	762020-2	762020-1	762020-1	762020-2	762020-2	762020-1	762020	
5	Clip, Hairpin (1)	—	—	—	—	—	—	—	—	—	—	—	—	
11	Coupling (1)	—	—	—	—	—	—	—	—	—	—	—	—	
12	Pendant (1)	—	—	—	—	—	—	—	—	—	—	—	—	
14	Wire Connector (3)	—	—	—	—	—	—	—	—	—	—	—	—	
15	Wrench, Hex, 3/16" (1)	—	—	—	—	—	—	—	—	—	—	—	—	
16	Stud, Threaded, 1-1/4" (2)	—	—	—	—	—	—	—	—	—	—	—	—	
17	Lockwasher (4)	—	—	—	—	—	—	—	—	—	—	—	—	
18	Knob, Knurled (4)	—	—	—	—	—	—	—	—	—	—	—	—	
19	Screw, 10-32 x 5/8" (11)	—	—	—	—	—	—	—	—	—	—	—	—	
20	Screw, Flat, 8-32 x 5/16" (4)	—	—	—	—	—	—	—	—	—	—	—	—	
21	Screw, 10-32 x 3/8" (16)	—	—	—	—	—	—	—	—	—	—	—	—	
22	Washer, Flat (16)	—	—	—	—	—	—	—	—	—	—	—	—	
27	Setscrew, (1)	—	—	—	—	—	—	—	—	—	—	—	—	
30	Stud, Threaded, 1" (2)	—	—	—	—	—	—	—	—	—	—	—	—	
24	Auxiliary Capacitor	761453	761453	761453	761453	761453	761453	761453	761453	761453	761453	761453	761453	
25	Adapter, Switch Housing	761981	761981	761981	761981	761981	761981	761981	761981	761981	761981	761981	761981	
26	Harness	761450-8	761450-5	761450-5	761450-5	761450-8	761450-4	761450-5	761450-5	761450-8	761450-8	761450-5	761450-3	
28	Screw, #8 Washerhead, (4)	—	—	—	—	—	—	—	—	—	—	—	—	
29	Washer, 9/16"	—	—	—	—	—	—	—	—	—	—	—	—	
—	Owner's Manual	BP7324	BP7324	BP7324	BP7324	BP7324	BP7324	BP7324	BP7324	BP7324	BP7324	BP7324	BP7324	

*Contact your nearest authorized Emerson fan dealer for replacement B52 blade accessories.

▲ WARNING: FOR YOUR OWN SAFETY TURN OFF POWER AT FUSE BOX OR CIRCUIT BREAKER BEFORE TROUBLE SHOOTING YOUR FAN.

Trouble Shooting

TROUBLE	PROBABLE CAUSE	SUGGESTED REMEDY
1. Fan will not start.	1. Fuse or circuit breaker blown. 2. Loose power line connections to the fan, or loose switch wire connections in the switch housing. 3. Reversing switch in neutral position.	1. Check main and branch circuit fuses or circuit breakers. 2. Check line wire connections to fan and switch wire connections in the switch housing. ▲ WARNING: Make sure main power is turned off. 3. Make sure reversing switch position is all the way to one side.
2. Fan sounds noisy.	1. Blades not attached to fan. 2. Loose screws in motor housing. 3. Screws securing fan blade flanges to motor hub are loose. 4. Switch housing binding against blade hub. 5. Wire connectors inside switch housing rattling. 6. Screws holding blades to flanges are loose.	1. Attach blades to fan before operating. 2. Check to make sure all screws in motor housing are snug (not over-tight). 3. Check to make sure the screws which attach the fan flanges to the motor hub are tight. 4. Check to make sure that the switch housing does not bind against the blade hub. 5. Check to make sure wire connectors in switch housing are not rattling against each other or against the interior wall of the switch housing. 6. Tighten screws securely. ▲ WARNING: Make sure main power is turned off.
3. Fan wobbles excessively.	1. Setscrew in motor coupling is loose. 2. Setscrew in hanger ball/downrod assembly is loose. 3. Screws securing fan blade flanges to motor hub are loose. 4. Fan blade flanges not seated properly. 5. Hanger bracket and/or ceiling outlet box is not securely fastened. 6. Fan blades out of balance.	1. Tighten the setscrew in the motor coupling. 2. Tighten the setscrew in the hanger ball/downrod assembly. 3. Check to be sure screws which attach the fan blade flanges to the motor hub are tight. 4. Check to be sure the fan blade flanges seat firmly and uniformly to the surface of the motor hub. If flanges are seated incorrectly, loosen the flange screws and retighten 5. Tighten the hanger bracket screws to the outlet box, and/or secure outlet box. 6. Interchanging an adjacent (side-by-side) blade pair can redistribute the weight and result in smoother operation.



EMERSON™

Air Comfort Products

DIVISION OF EMERSON ELECTRIC CO.
8100 W. Florissant • St. Louis, MO 63136